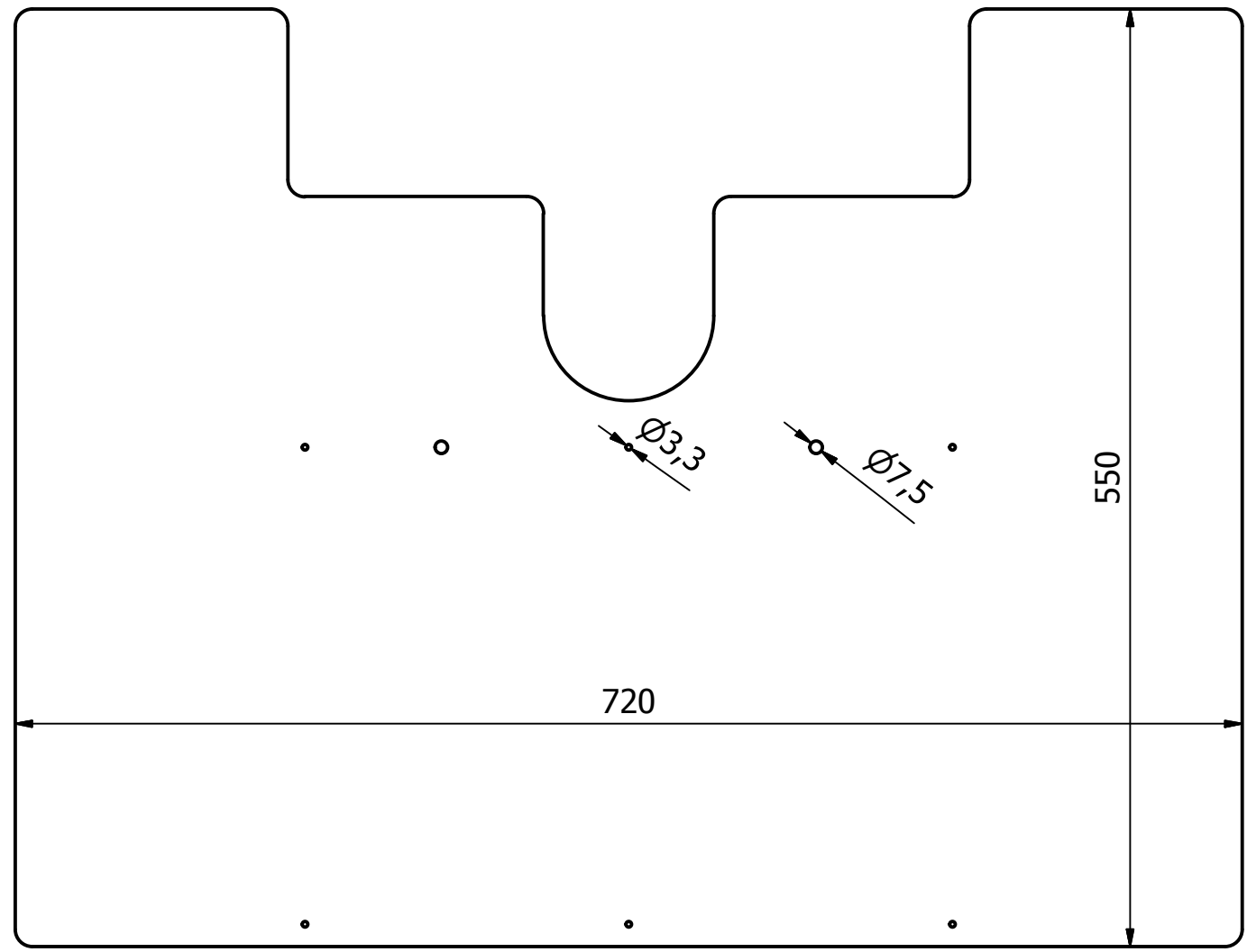


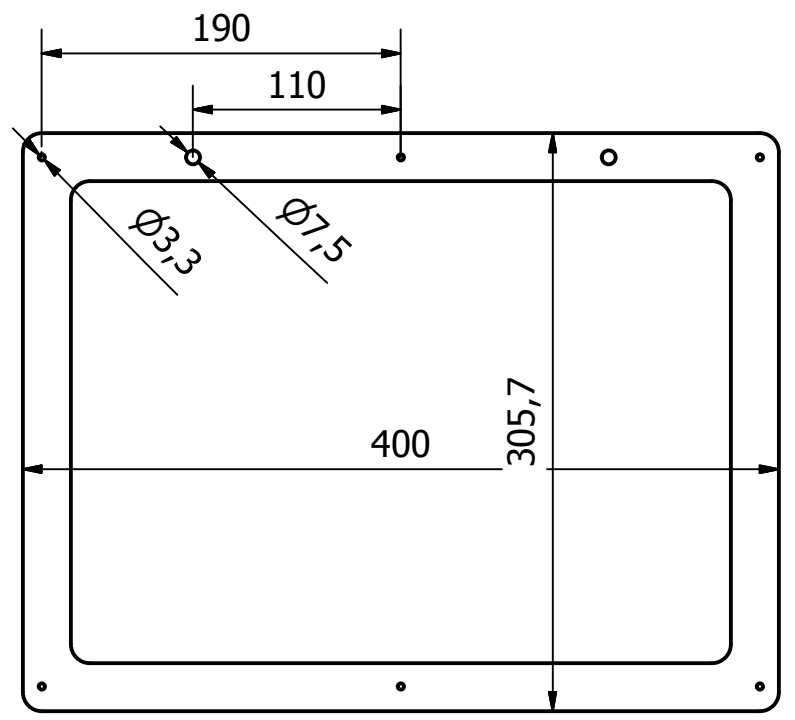
6 1 5 1 4 3 1 2 1 1

D  
C  
B  
A



3mm 430 Stainless  
1 off

(total thickness 19mm i.e. ~0.75")



8mm Aluminium  
2 off

Designed by Alan Ambrose	Checked by	Approved by	Date	Date 03/09/2018
		Cal Bed		
			Edition	Sheet 1 / 1

6 1 5 1 4 3 1 2 1 1