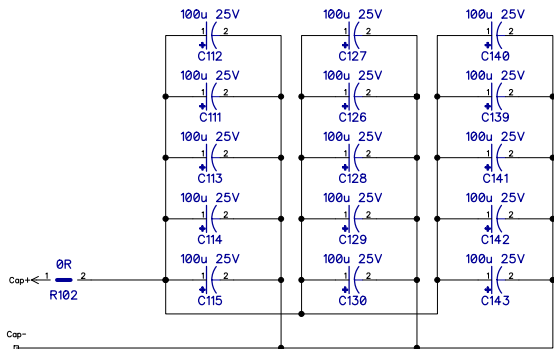


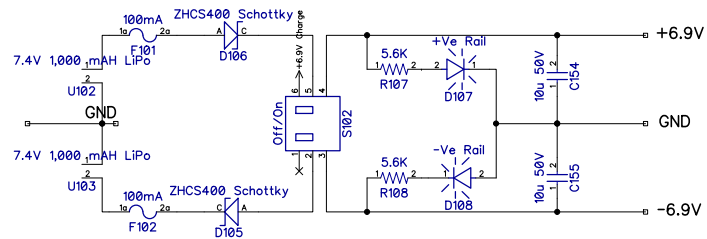
Itemref	Quantity	Title/Name, designation, material, dimension etc	Article No./Reference		
Designed by Alan Ambrose	Checked by	Approved by - date	File name	Date 30-May-16	Scale 1:1
Noise Amplifier 3					
			Edition 0		
			Sheet 1/1		

1500uF 25v (alternatives)



15 x 100uF tantalum

Power

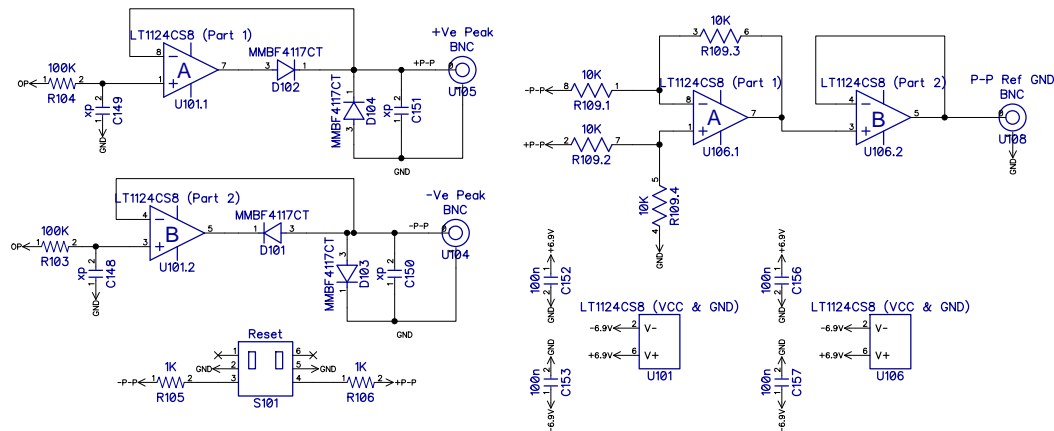


Load should be $10 \times 2.5\text{mA} = 25\text{mA}$
i.e. approx 40 hours use

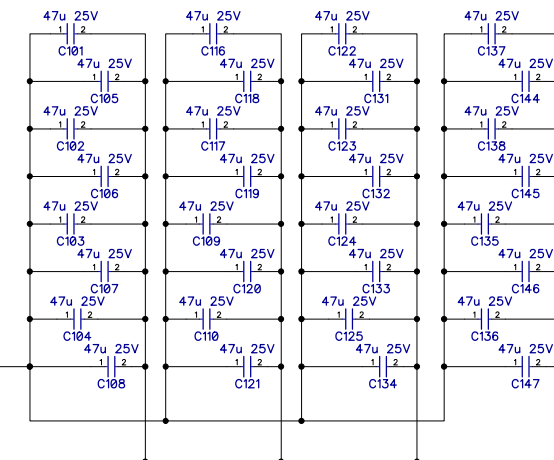
Case



Peak Detection



32 x 47uF MLCC



Itemref	Quantity	Title/Name, designation, material, dimension etc	Article No./Reference		
Designed by	Checked by	Approved by - date	File name	Date	Scale
Alan Ambrose				24-May-16	1:1
Noise Amplifier 1				Edition	Sheet
				0	1/1