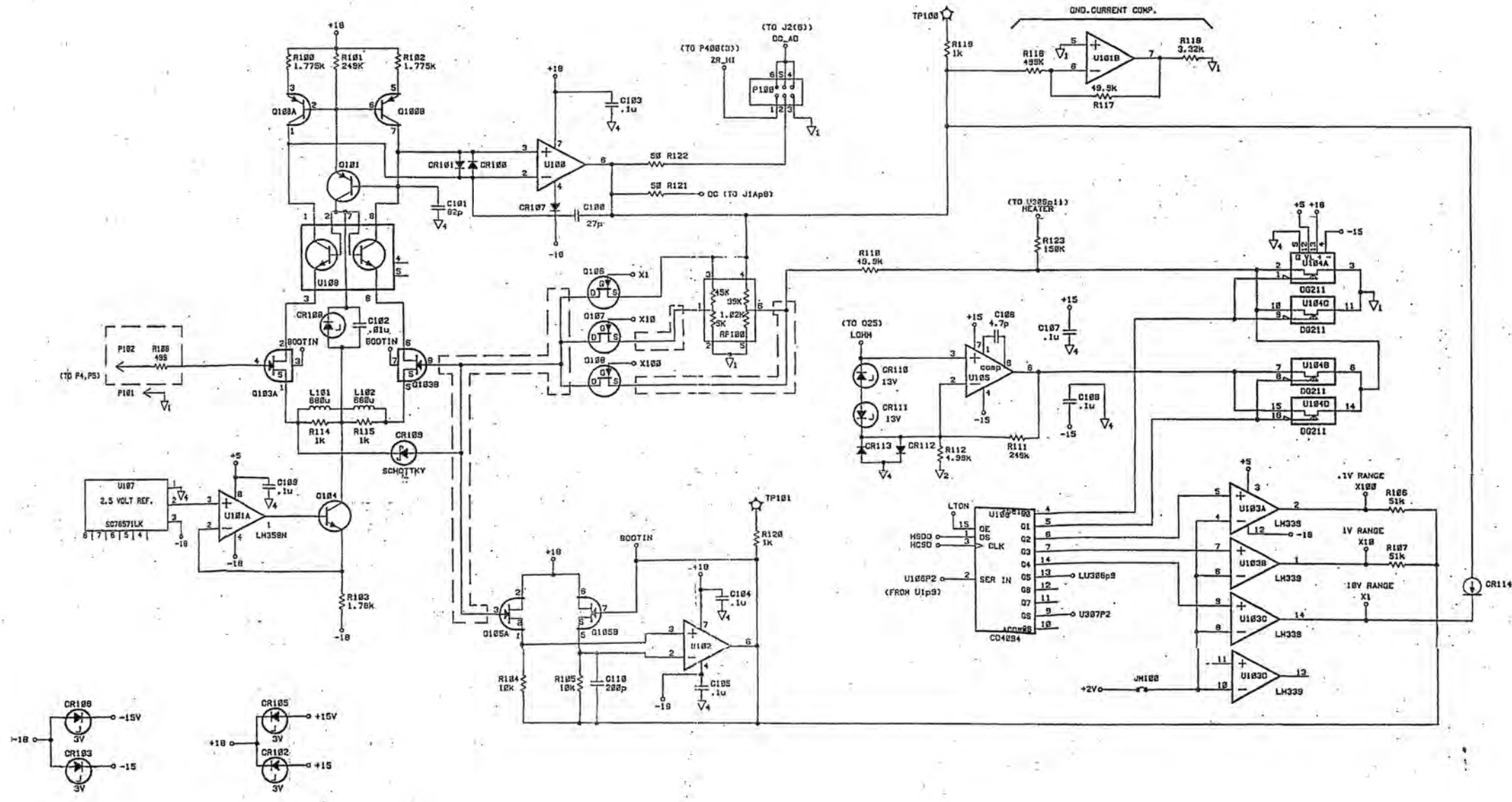


SYN	REVISIONS		APPROVED	DATE
B	ADD W3	ERC 2988 PCO 27877		
C	PCO: 09-28828 REMOVE TP12, JM2, JM3 ON PAGE 4	19-MAY-89 ERC:29		



NOTE:
GUARD RINGS CONNECT TO BOOTIN

ITEM	QTY	PART/MATERIAL-DESCRIPTION	MAT'L-PART NO.	MAT'L-DWG. NO.	MAT'L-SPEC.
		DATE			
DRAWN BY		22-FEB-89	SENTRY DC INPUT AMPLIFIER		
ENGINEER/CHECKER			HP HEWLETT PACKARD		
RELEASE TO PROD.			PART NUMBER 03458-66501		
C1-REVB SUPERSEDES DWG.		19-MAY-89	SCALE	SHEET 3 OF 5	C - 03458 - 66501 - 1