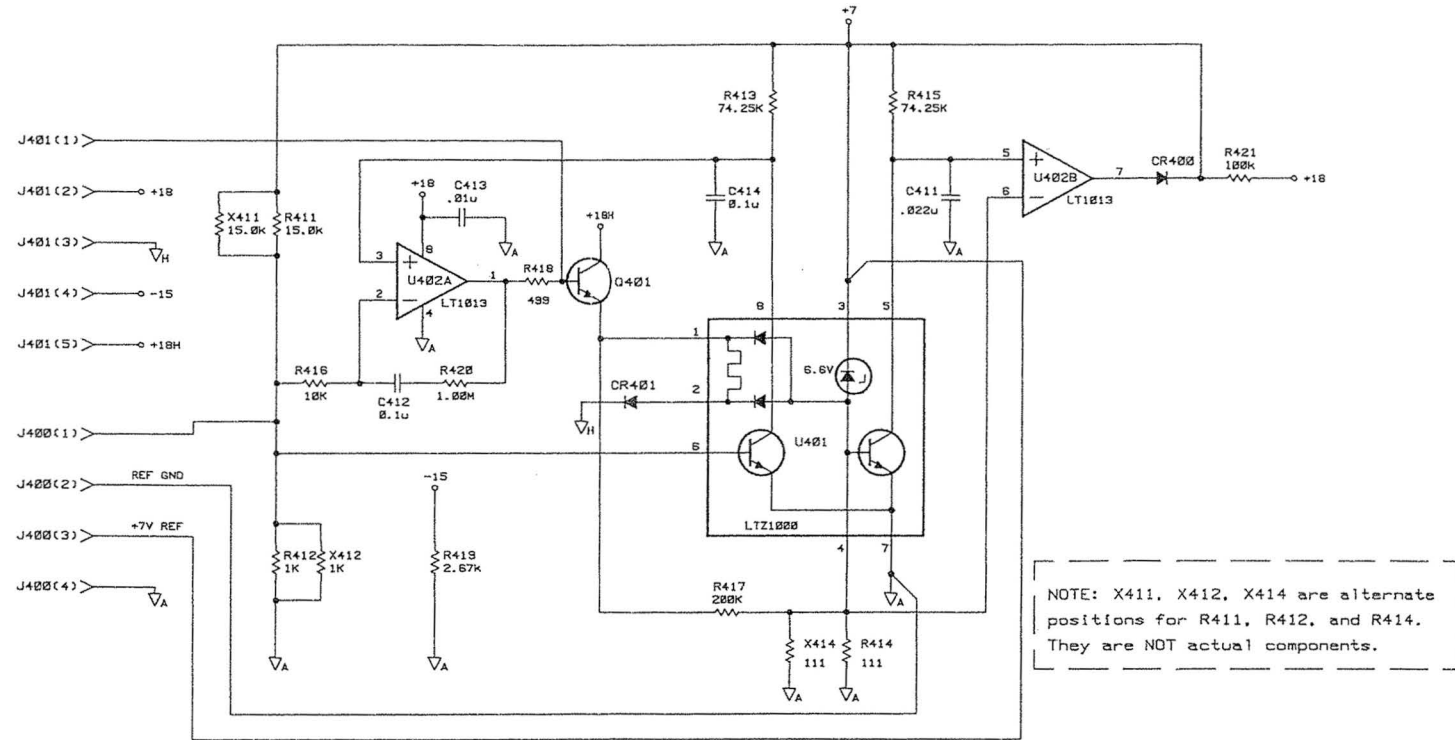


SYM	REVISIONS	APPROVED	DATE
A	AS ISSUED		



NOTE: X411, X412, X414 are alternate positions for R411, R412, and R414. They are NOT actual components.

ITEM	QTY	A5809 PART/MATERIAL-DESCRIPTION	MAT'L-PART NO.	MAT'L-DWG. NO.	MAT'L-SPEC.
DRAWN BY		2-NOV-87 DATE	+7V REFERENCE		
ENGINEER/CHECKER					
RELEASE TO PROD.		TITLE	PART NUMBER 03458-66509		
SUPERSEDES DWG.		SCALE	SHEET 1 OF 1	B - 03458 - 66509 - 1	

