

Component-Level Information Packet for HP 3458A Digital Multimeter

DO IT YOURSELF COMPONENT LEVEL REPAIRS

HISTORY OF COMPONENT LEVEL INFORMATION PACKETS (CLIPS)

In the early 1980's, Hewlett-Packard made an order of magnitude improvement in the quality and reliability of HP Digital Multimeters. These improvements resulted from an HP-wide objective of a X10 quality improvement in hardware products. HP DMMs introduced during the 1980s have very low failure rates as a result of the reliability improvements.

This dramatic improvement in failure rates caused HP to change from a component level repair strategy to an assembly level repair strategy on most new products including the HP 3458A. Assembly level repair is more cost effective.

Customers, such as the US Armed Forces, request component level documents enabling them to do their own component level repairs. For this reason, HP provides Component Level Information Packets (CLIPS) on selected products including the HP 3458A. The HP 3458A CLIP contains the following documents: 1) schematics, 2) component locators and 3) parts lists for each printed circuit assembly.

HP 3458A REPAIR STRATEGY

The HP 3458A System DMM repair strategy is assembly replacement for less expensive assemblies and assembly exchange for more expensive assemblies. Assembly exchange requires diagnosis of failure to the assembly level and exchange of the failed assembly for a rebuilt assembly. HP does not support HP Repair Centers or HP customers in doing HP 3458A component level repairs.

Copyright © 1989 Hewlett-Packard Company

HP Document Part Number 03458-90033

Printed December 1989
Printed in USA



**HEWLETT
PACKARD**

HP3458A COMPONENT LEVEL INFORMATION PACKAGE

DO IT YOURSELF COMPONENT LEVEL REPAIRS

HISTORY OF COMPONENT LEVEL INFORMATION PACKAGES (CLIPS)

In the early 1980s, Hewlett-Packard made an order of magnitude improvement in the quality and reliability of HP Digital Multimeters. These improvements resulted from an HP-wide objective of a X10 quality improvement in hardware products. HP DMMs introduced during the 1980s have very low failure rates as a result of the reliability improvements.

This dramatic improvement in failure rates caused HP to change from a component level repair strategy to an assembly level repair strategy on most new products including the HP 3458A. Assembly level repair is more cost effective.

Customers, such as the US Armed Forces, request component level documents enabling them to do their own component level repairs. For this reason, HP provides Component Level Information Packages (CLIPS) on selected products including the HP 3458A. The HP 3458A CLIP contains the following documents: 1) schematics, 2) component locators and 3) parts lists for each printed circuit assembly.

HP 3458A REPAIR STRATEGY

The HP 3458A System DMM repair strategy is assembly replacement for less expensive assemblies and assembly exchange for more expensive assemblies. Assembly exchange requires diagnosis of failure to the assembly level and exchange of the failed assembly for a rebuilt assembly. HP does not support HP Repair Centers or HP customers in doing HP 3458A component level repairs.



HP 3458A
A1 ASSEMBLY (03458-66501) REPLACEMENT PARTS

Reference Designation	HP Part Number	C D	Qty	Part Description	Mfr. Code	Mfr. Part Number
A1	03458-66501	8	1	PRINTED CIRCUIT ASSEMBLY-DCR	28480	03458-66501
A1C1	0160-4816	4	1	CAPACITOR-FXD 100PF +-10% 100VDC CER	04222	SA102A101KAAH
A1C2	0160-4571	8	21	CAPACITOR-FXD .1UF +80-20% 50VDC CER	04222	SA105E104ZAAH
A1C3	0180-0210	6	1	CAPACITOR-FXD 3.3UF+-20% 15VDC TA	56289	150D335X0015A2-DYS
A1C4-C5	0160-4571	8		CAPACITOR-FXD .1UF +80-20% 50VDC CER	04222	SA105E104ZAAH
A1C7-C9	0160-4807	3	3	CAPACITOR-FXD 33PF +-5% 100VDC CER 0+-30	04222	SA102A330JAAH
A1C10	0160-5349	0	2	CAPACITOR-FXD 200PF +-5% 100VDC CER	04222	SA101A201JAAH
A1C11	0160-4819	7	2	CAPACITOR-FXD 2200PF +-5% 100VDC CER	04222	SA301A222JAAH
A1C12-C16	0160-4571	8		CAPACITOR-FXD .1UF +80-20% 50VDC CER	04222	SA105E104ZAAH
A1C17	0180-0291	3	1	CAPACITOR-FXD 1UF+-10% 35VDC TA	56289	150D105X9035A2-DYS
A1C19	0160-4571	8		CAPACITOR-FXD .1UF +80-20% 50VDC CER	04222	SA105E104ZAAH
A1C20-C21	0180-0197	8	1	CAPACITOR-FXD 2.2UF+-10% 20VDC TA	56289	150D225X9020A2-DYS
A1C22-C23	0160-6986	1	2	CAPACITOR-FXD 82PF 2% 630V	19701	703E1AD820PG631TX
A1C24	0160-4801	7	1	CAPACITOR-FXD 100PF +-5% 100VDC CER	04222	SA102A101JAAH
A1C100	0160-4786	7	2	CAPACITOR-FXD 27PF +-5% 100VDC CER 0+-30	04222	SA102A270JAAH
A1C101	0160-4802	8	1	CAPACITOR-FXD 82PF +-5% 100VDC CER 0+-30	04222	SA102A820JAAH
A1C102	0160-4832	4	1	CAPACITOR-FXD .01UF +-10% 100VDC CER	04222	SA101C103KAAH
A1C103-C105	0160-4571	8		CAPACITOR-FXD .1UF +80-20% 50VDC CER	04222	SA105E104ZAAH
A1C106	0160-4795	8	1	CAPACITOR-FXD 4.7PF +- .5PF 100VDC CER	04222	SA102A4R70AAH
A1C107-C109	0160-4571	8		CAPACITOR-FXD .1UF +80-20% 50VDC CER	04222	SA105E104ZAAH
A1C110	0160-5349	0		CAPACITOR-FXD 200PF +-5% 100VDC CER	04222	SA101A201JAAH
A1C200-C201	0160-4571	8		CAPACITOR-FXD .1UF +80-20% 50VDC CER	04222	SA105E104ZAAH
A1C301	0160-4571	8		CAPACITOR-FXD .1UF +80-20% 50VDC CER	04222	SA105E104ZAAH
A1C302	0160-4786	7		CAPACITOR-FXD 27PF +-5% 100VDC CER 0+-30	04222	SA102A270JAAH
A1C304-C306	0160-4571	8		CAPACITOR-FXD .1UF +80-20% 50VDC CER	04222	SA105E104ZAAH
A1C307	0160-3456	6	1	CAPACITOR-FXD 1000PF +-10% 1KVDC CER	28480	0160-3456
A1C400	0160-4819	7		CAPACITOR-FXD 2200PF +-5% 100VDC CER	04222	SA301A222JAAH
A1CR1	1902-3128	4	1	DIODE-ZENER 7.32V 5% DO-35 PD=.4W	28480	1902-3128
A1CR2	1901-0880	7	12	DIODE-GENERAL PURPOSE 125MA DO-35	28480	1901-0880
A1CR6	1902-0078	7	2	DIODE-ZENER 14.7V 2% DO-35 PD=.4W	28480	1902-0078
A1CR7	1901-1080	1	1	DIODE-SCHOTTKY 20V 1A	04713	1N5817(RELAXED)
A1CR8	1902-0078	7		DIODE-ZENER 14.7V 2% DO-35 PD=.4W	28480	1902-0078
A1CR10-CR11	1901-0527	9	3	DIODE-CURRENT REGULATOR 75V DO-7	28480	1901-0527
A1CR12-CR13	1902-0961	7	4	DIODE-ZENER 13V 5% DO-35 PD=.4W TC=+.082%	28480	1902-0961
A1CR100-CR101	1901-0376	6	2	DIODE-GENERAL PURPOSE 35V 50MA DO-35	28480	1901-0376
A1CR102-CR106	1902-0945	7	5	DIODE-ZENER 3V 5% DO-35 PD=.4W TC=-.043%	28480	1902-0945
A1CR107	1901-0880	7		DIODE-GENERAL PURPOSE 125MA DO-35	28480	1901-0880
A1CR108	1902-1391	1	1	DIODE-ZENER 1N4683 3V PD=.25W IR=800NA	04713	1N4683
A1CR109	1900-0233	9	1	DIODE-SCHOTTKY SMALL SIGNAL 1N5711	50088	1N5711
A1CR110-CR111	1902-0961	7		DIODE-ZENER 13V 5% DO-35 PD=.4W TC=+.082%	28480	1902-0961
A1CR112-CR113	1901-0880	7		DIODE-GENERAL PURPOSE 125MA DO-35	28480	1901-0880
A1CR114	1901-0527	9		DIODE-CURRENT REGULATOR 75V DO-7	28480	1901-0527
A1CR201-CR202	1901-0838	5	3	DIODE-POWER RECTIFIER 1N5393 200V 1.5A	30043	1N5393
A1CR203	1902-3073	8	7	DIODE-ZENER 4.32V 5% DO-35 PD=.4W	28480	1902-3073
A1CR204	1902-0244	9	1	DIODE-ZENER 30V 5% PD=1W IR=5UA	28480	1902-0244
A1CR205	1902-0960	6	1	DIODE-ZENER 12V 5% DO-35 PD=.4W TC=+.077%	50088	1N963B
A1CR300	1901-1260	3	1	DIODE-HV RECTIFIER 1.6KV 1A DO-41	71744	GP10Y
A1CR301-CR307	1901-0880	7		DIODE-GENERAL PURPOSE 125MA DO-35	28480	1901-0880
A1CR308-CR313	1902-3073	8		DIODE-ZENER 4.32V 5% DO-35 PD=.4W	28480	1902-3073
A1CR314	1901-0880	7		DIODE-GENERAL PURPOSE 125MA DO-35	28480	1901-0880
A1CR400	1901-0838	5		DIODE-POWER RECTIFIER 1N5393 200V 1.5A	30043	1N5393
A1E201 & E300	1970-0052	0	2	TUBE-ELECTRON SURGE VOLTAGE PROTECTOR 90 VDC	28480	1970-0052
A1F300	2110-0757	1	1	FUSE-SUBMINIATURE .063A 125V AXIAL LEAD UL CSA	75915	R251.062T1
A1HND2	1400-0507	3	1	CABLE TIE .062-2-DIA .095-WD NYLON	59730	TY-232M
A1HSR213	1205-0317	9	1	HEAT SINK DUAL INLINE THERMALLOY 6011B	13103	6011B
A1INS213	0340-0564	3	1	INSULATOR-TRANSISTOR THRM-CNDCT	55285	7403-09FR-51

A1 ASSEMBLY (03458-66501) REPLACEMENT PARTS

Reference Designation	HP Part Number	C	D	Qty	Part Description	Mfr. Code	Mfr. Part Number
A1J1A-J1B	1251-3961	2		3	CONNECTOR-POST TYPE .156-PIN-SPCG 6-CONT	27264	09-48-3064
A1J2	1251-3961	2			CONNECTOR-POST TYPE .156-PIN-SPCG 6-CONT	27264	09-48-3064
A1J100	1258-0141	8		1	JUMPER-REMOVABLE FOR 0.025 IN SQ PINS	18873	65474-004
A1JM1	7175-0057	5		12	RESISTOR-ZERO OHMS SOLID TINNED COPPER	19701	5020CX0R000SB2AAZ
A1JM4	7175-0057	5			RESISTOR-ZERO OHMS SOLID TINNED COPPER	19701	5020CX0R000SB2AAZ
A1JM100	7175-0057	5			RESISTOR-ZERO OHMS SOLID TINNED COPPER	19701	5020CX0R000SB2AAZ
A1JM200-JM207	7175-0057	5			RESISTOR-ZERO OHMS SOLID TINNED COPPER	19701	5020CX0R000SB2AAZ
A1JM300	7175-0057	5			RESISTOR-ZERO OHMS SOLID TINNED COPPER	19701	5020CX0R000SB2AAZ
A1K1	0490-1659	5		2	RELAY-REED 1UV	71707	3500-0043
A1K2	0490-1658	7		4	RELAY-REED	21317	051AY*350DAB
A1K3	0490-1659	5			RELAY-REED 1UV	71707	3500-0043
A1K4	0490-1675	3		1	RELAY-SUV, REED COTO 3500-0044	71707	3500-0044
A1K5-K6	0490-1658	7			RELAY-REED	21317	051AY*350DAB
A1K7	0490-1657	7		1	RELAY-REED COTO 5000-0124	28480	0490-1657
A1K9	0490-1658	7			RELAY-REED	21317	051AY*350DAB
A1K200	0490-1526	7		3	RELAY-REED	28480	0490-1526
A1K201	0490-1668	8		1	RELAY-AROMAT DS2E-SL2-DC12V-HXX	28480	0490-1668
A1K202-K203	0490-1526	7			RELAY-REED	28480	0490-1526
A1K204	0490-1651	4		1	RELAY-LATCHING AROMAT DS2E-SL2-DC12V-C-T14	28480	0490-1651
A1L1	9100-1625	0		4	INDUCTOR RF-CH-MLD 33UH +-5%	99800	1537-52
A1L101-L102	9140-0979	5		1	INDUCTOR RF-CH-MLD 680UH +-10%	83125	MS750085-17
A1L200-L201	9140-0394	2		1	INDUCTOR RF-CH-MLD 680NH +-5%	24226	15M680J
A1L202-L203	9100-1625	0			INDUCTOR RF-CH-MLD 33UH +-5%	99800	1537-52
A1L300	9100-1625	0			INDUCTOR RF-CH-MLD 33UH +-5%	99800	1537-52
A1LBL1	7120-6830	9		1	LABEL-INFO WRNTY DATE CODE .25-IN-WD .625-IN-LG	28480	7120-6830
A1LBL2	9320-5333	1		1	LABEL-LINE-PRINTER; .625-IN-WD X .25-IN-LG	28480	9320-5333
A1P1-P2	1251-0600	0		13	CONNECTOR-SGL CONT PIN 1.14-MM-BSC-SZ SQ	27264	16-06-0034
A1P3	1251-8106	1		1	CONNECTOR-POST TYPE .100-PIN-SPCG 20-CONT	76381	3592-6002
A1P4-P9	1251-0600	0			CONNECTOR-SGL CONT PIN 1.14-MM-BSC-SZ SQ	27264	16-06-0034
A1P100	1251-6515	8		1	CONNECTOR-POST TYPE .100-PIN-SPCG 6-CONT	18873	67996-606
A1P101-P102	1251-0600	0			CONNECTOR-SGL CONT PIN 1.14-MM-BSC-SZ SQ	27264	16-06-0034
A1P200-P202	1251-0600	0			CONNECTOR-SGL CONT PIN 1.14-MM-BSC-SZ SQ	27264	16-06-0034
A1P400-P401	1251-6064	2		2	CONNECTOR-POST TYPE .100-PIN-SPCG 5-CONT	27264	22-10-2052
A1Q1	1853-0565	2		2	TRANSISTOR PNP SI TO-92 PD=310MW	04713	2N4403
A1Q2-Q3	1855-0793	5		22	TRANSISTOR J-FET N-CHAN D-MODE TO-92	17856	J2472 TR-6
A1Q6	1854-1028	6		2	TRANSISTOR NPN SI PD=350MW FT=300MHZ	04713	2N3904
A1Q7	1855-0243	7		1	TRANSISTOR-JFET DUAL N-CHAN TO-71 SI	28480	1855-0243
A1Q10-Q11	1855-0793	5			TRANSISTOR J-FET N-CHAN D-MODE TO-92	17856	J2472 TR-6
A1Q12-Q13	1855-0743	5		13	TRANSISTOR J-FET N-CHAN D-MODE TO-92 SI	27014	NSID5092/F50188A
A1Q14	1855-0793	5			TRANSISTOR J-FET N-CHAN D-MODE TO-92	17856	J2472 TR-6
A1Q15	1855-0743	5			TRANSISTOR J-FET N-CHAN D-MODE TO-92 SI	27014	NSID5092/F50188A
A1Q16-Q17	1855-0793	5			TRANSISTOR J-FET N-CHAN D-MODE TO-92	17856	J2472 TR-6
A1Q18	1855-0743	5			TRANSISTOR J-FET N-CHAN D-MODE TO-92 SI	27014	NSID5092/F50188A
A1Q19-Q23	1855-0793	5			TRANSISTOR J-FET N-CHAN D-MODE TO-92	17856	J2472 TR-6
A1Q24	1855-0743	5			TRANSISTOR J-FET N-CHAN D-MODE TO-92 SI	27014	NSID5092/F50188A
A1Q25-Q27	1855-0793	5			TRANSISTOR J-FET N-CHAN D-MODE TO-92	17856	J2472 TR-6
A1Q28	1854-1030	0		1	TRANSISTOR-DUAL NPN TO-78 PD=750MW	28480	1854-1030
A1Q100	1853-0083	9		1	TRANSISTOR-DUAL PNP PD=600MW	28480	1853-0083
A1Q101	1853-0700	8		2	TRANSISTOR PNP SI TO-92 PD=625MW FT=40MH 2N5087	27014	6292/T62547A
A1Q103	1855-0742	2		1	TRANSISTOR-JFET DUAL N-CHAN D-MODE SI	27014	NSID9867/F98005A
A1Q104	1854-1040	5		1	TRANSISTOR NPN SI TO-92 PD=310MW	27014	2N5088
A1Q105	1855-0247	1		1	TRANSISTOR J-FET DUAL N-CHAN D-MODE TO-71	28480	1855-0247
A1Q106	1855-0341	6		1	TRANSISTOR J-FET 2N4338 N-CHAN D-MODE TO-18	17856	2N4338
A1Q107-Q108	1855-0743	5			TRANSISTOR J-FET N-CHAN D-MODE TO-92 SI	27014	NSID5092/F50188A
A1Q200	1853-0565	2			TRANSISTOR PNP SI TO-92 PD=310MW	04713	2N4403
A1Q201-Q206	1855-0743	5			TRANSISTOR J-FET N-CHAN D-MODE TO-92 SI	27014	NSID5092/F50188A
A1Q207-Q208	1853-0676	5		2	TRANSISTOR-PNP SI TO-220AB PD=1.67W	27014	SW5Q011A

HP 3458A

A1 ASSEMBLY (03458-66501) REPLACEMENT PARTS

Reference Designation	HP Part Number	C	D	Qty	Part Description	Mfr. Code	Mfr. Part Number
A1Q304	1855-0793	5			TRANSISTOR J-FET N-CHAN D-MODE TO-92	17856	J2472 TR-6
A1Q305	1855-0209	5		1	TRANSISTOR J-FET P-CHAN D-MODE SI	28480	1855-0209
A1Q306	1853-0700	8			TRANSISTOR PNP SI TO-92 PD=625MW FT=40MH 2N5087	27014	6292/T62547A
A1Q307	1854-1028	6			TRANSISTOR NPN SI PD=350MW FT=300MHZ	04713	2N3904
A1Q308-Q313	1855-0793	5			TRANSISTOR J-FET N-CHAN D-MODE TO-92	17856	J2472 TR-6
A1R2-R3	0757-0435	0		6	RESISTOR 3.92K 1% .125W TF TC=0+-100	28480	0757-0435
A1R6	0698-3215	4		2	RESISTOR 499K 1% .125W TF TC=0+-100	28480	0698-3215
A1R7	0699-0714	4		1	RESISTOR 118K .1% .125W TF TC=0+-10	28480	0699-0714
A1R8	0698-8955	9		1	RESISTOR 13.5K .1% .1W TF TC=0+-10	28480	0698-8955
A1R9	0757-0280	3		11	RESISTOR 1K 1% .125W TF TC=0+-100	24546	CT4-1/8-T0-1001-F
A1R10	0757-0401	0		3	RESISTOR 100 1% .125W TF TC=0+-100	24546	CT4-1/8-T0-101-F
A1R11	0757-0280	3			RESISTOR 1K 1% .125W TF TC=0+-100	24546	CT4-1/8-T0-1001-F
A1R13	0757-0283	6		5	RESISTOR 2K 1% .125W TF TC=0+-100	24546	CT4-1/8-T0-2001-F
A1R14	0757-0442	9		9	RESISTOR 10K 1% .125W TF TC=0+-100	24546	CT4-1/8-T0-1002-F
A1R15	0757-0401	0		1	RESISTOR 100 1% .125W TF TC=0+-100	24546	CT4-1/8-T0-101-F
A1R17	0699-2424	8		2	RESISTOR 5K 1%	28480	0699-2424
A1R19	0699-2424	8			RESISTOR 5K 1%	28480	0699-2424
A1R20	0699-2515	0		5	RESISTOR 4.7K OHM 5% .25W CARBON COMP.	01121	CB4725
A1R21	0757-0449	6		2	RESISTOR 20K 1% .125W TF TC=0+-100	24546	CT4-1/8-T0-2002-F
A1R22	0757-0435	0			RESISTOR 3.92K 1% .125W TF TC=0+-100	28480	0757-0435
A1R23	0757-0475	8		1	RESISTOR 274K 1% .125W TF TC=0+-100	24546	CT4-1/8-T0-2743-F
A1R24	0757-0435	0			RESISTOR 3.92K 1% .125W TF TC=0+-100	28480	0757-0435
A1R25	0757-0283	6			RESISTOR 2K 1% .125W TF TC=0+-100	24546	CT4-1/8-T0-2001-F
A1R26	0757-0346	2		2	RESISTOR 10 1% .125W TF TC=0+-100	28480	0757-0346
A1R27	0757-0446	3		3	RESISTOR 15K 1% .125W TF TC=0+-100	24546	CT4-1/8-T0-1502-F
A1R28	0757-0346	2			RESISTOR 10 1% .125W TF TC=0+-100	28480	0757-0346
A1R29	0757-0465	6		5	RESISTOR 100K 1% .125W TF TC=0+-100	24546	CT4-1/8-T0-1003-F
A1R30	0757-0442	9			RESISTOR 10K 1% .125W TF TC=0+-100	24546	CT4-1/8-T0-1002-F
A1R31	0757-0465	6			RESISTOR 100K 1% .125W TF TC=0+-100	24546	CT4-1/8-T0-1003-F
A1R32	0757-0442	9			RESISTOR 10K 1% .125W TF TC=0+-100	24546	CT4-1/8-T0-1002-F
A1R33	0692-4735	3		2	RESISTOR 47K 5% 2W CC TC=0+765	01121	HB4735
A1R34	0699-2515	0			RESISTOR 4.7K OHM 5% .25W CARBON COMP.	01121	CB4725
A1R35	0757-0469	0		2	RESISTOR 150K 1% .125W TF TC=0+-100	24546	CT4-1/8-T0-1503-F
A1R36	0757-0465	6			RESISTOR 100K 1% .125W TF TC=0+-100	24546	CT4-1/8-T0-1003-F
A1R37	0698-8737	5		1	RESISTOR 100K 5% .25W CC TC=-400/+800	01121	CB1045
A1R38	0692-4735	3			RESISTOR 47K 5% 2W CC TC=0+765	01121	HB4735
A1R39-R40	0757-0280	3			RESISTOR 1K 1% .125W TF TC=0+-100	24546	CT4-1/8-T0-1001-F
A1R41-R42	0698-3279	0		3	RESISTOR 4.99K 1% .125W TF TC=0+-100	24546	CT4-1/8-T0-4991-F
A1R43	0698-3228	9		4	RESISTOR 49.9K 1% .125W TF TC=0+-100	28480	0698-3228
A1R44	0698-4486	3		1	RESISTOR 24.9K 1% .125W TF TC=0+-100	24546	CT4-1/8-T0-2492-F
A1R45	0757-0283	6			RESISTOR 2K 1% .125W TF TC=0+-100	24546	CT4-1/8-T0-2001-F
A1R46	0757-0446	3			RESISTOR 15K 1% .125W TF TC=0+-100	24546	CT4-1/8-T0-1502-F
A1R47	0757-0471	4		3	RESISTOR 182K 1% .125W TF TC=0+-100	24546	CT4-1/8-T0-1823-F
A1R48	0757-0431	6		3	RESISTOR 2.43K 1% .125W TF TC=0+-100	24546	CT4-1/8-T0-2431-F
A1R49	0698-3516	8		2	RESISTOR 6.34K 1% .125W TF TC=0+-100	24546	CT4-1/8-T0-6341-F
A1R50	0757-0454	3		2	RESISTOR 33.2K 1% .125W TF TC=0+-100	24546	CT4-1/8-T0-3322-F
A1R51	0757-0446	3			RESISTOR 15K 1% .125W TF TC=0+-100	24546	CT4-1/8-T0-1502-F
A1R52	0757-0283	6			RESISTOR 2K 1% .125W TF TC=0+-100	24546	CT4-1/8-T0-2001-F
A1R53	0757-0471	4			RESISTOR 182K 1% .125W TF TC=0+-100	24546	CT4-1/8-T0-1823-F
A1R54	0698-3228	9			RESISTOR 49.9K 1% .125W TF TC=0+-100	28480	0698-3228
A1R55	0757-0431	6			RESISTOR 2.43K 1% .125W TF TC=0+-100	24546	CT4-1/8-T0-2431-F
A1R57	0757-0442	9			RESISTOR 10K 1% .125W TF TC=0+-100	24546	CT4-1/8-T0-1002-F
A1R58	0757-0280	3			RESISTOR 1K 1% .125W TF TC=0+-100	24546	CT4-1/8-T0-1001-F
A1R59	0757-0442	9			RESISTOR 10K 1% .125W TF TC=0+-100	24546	CT4-1/8-T0-1002-F
A1R61	0757-0465	6			RESISTOR 100K 1% .125W TF TC=0+-100	24546	CT4-1/8-T0-1003-F
A1R63	0757-0449	6			RESISTOR 20K 1% .125W TF TC=0+-100	24546	CT4-1/8-T0-2002-F
A1R64	0757-0454	3			RESISTOR 33.2K 1% .125W TF TC=0+-100	24546	CT4-1/8-T0-3322-F
A1R65	0699-2515	0			RESISTOR 4.7K OHM 5% .25W CARBON COMP.	01121	CB4725
A1R67	0698-3620	5		1	RESISTOR 100 5% 2W MO TC=0+-200	28480	0698-3620
A1R68	0698-3228	9			RESISTOR 49.9K 1% .125W TF TC=0+-100	28480	0698-3228
A1R69	0698-3516	8			RESISTOR 6.34K 1% .125W TF TC=0+-100	24546	CT4-1/8-T0-6341-F
A1R100	0698-8471	4		2	RESISTOR 1.775K .1% .1W TF TC=0+-5	28480	0698-8471
A1R101	0757-0270	1		2	RESISTOR 249K 1% .125W TF TC=0+-100	24546	CT4-1/8-T0-2493-F
A1R102	0698-8471	4			RESISTOR 1.775K .1% .1W TF TC=0+-5	28480	0698-8471

A1 ASSEMBLY (03458-66501) REPLACEMENT PARTS

Reference Designation	HP Part Number	C D	Qty	Part Description	Mfr. Code	Mfr. Part Number
A1R103	0757-0278	9	1	RESISTOR 1.78K 1% .125W TF TC=0+-100	24546	CT4-1/8-T0-1781-F
A1R104-R105	0757-0442	9		RESISTOR 10K 1% .125W TF TC=0+-100	24546	CT4-1/8-T0-1002-F
A1R106-R107	0757-0458	7	2	RESISTOR 51.1K 1% .125W TF TC=0+-100	24546	CT4-1/8-T0-5112-F
A1R108	0698-4123	5	1	RESISTOR 499 1% .125W TF TC=0+-100	24546	CT4-1/8-T0-499R-F
A1R110	0698-7652	1	1	RESISTOR 49.9K 1% .125W TF TC=0+-25	19701	5033R-1/8-T9-4992-F
A1R111	0757-0270	1		RESISTOR 249K 1% .125W TF TC=0+-100	24546	CT4-1/8-T0-2493-F
A1R112	0698-3279	0		RESISTOR 4.99K 1% .125W TF TC=0+-100	24546	CT4-1/8-T0-4991-F
A1R114-R115	0757-0280	3		RESISTOR 1K 1% .125W TF TC=0+-100	24546	CT4-1/8-T0-1001-F
A1R116	0698-3215	4		RESISTOR 499K 1% .125W TF TC=0+-100	28480	0698-3215
A1R117	0698-3228	9		RESISTOR 49.9K 1% .125W TF TC=0+-100	28480	0698-3228
A1R118	0757-0433	8	2	RESISTOR 3.32K 1% .125W TF TC=0+-100	24546	CT4-1/8-T0-3321-F
A1R119-R120	0757-0280	3		RESISTOR 1K 1% .125W TF TC=0+-100	24546	CT4-1/8-T0-1001-F
A1R121-R122	0698-6364	0	2	RESISTOR 50 .1% .125W TF TC=0+-25	19701	5033R-1/8-T9-51-F
A1R123	0757-0469	0		RESISTOR 150K 1% .125W TF TC=0+-100	24546	CT4-1/8-T0-1503-F
A1R200-R201	0699-2515	0		RESISTOR 4.7K OHM 5% .25W CARBON COMP.	01121	CB4725
A1R203-R204	0757-0435	0		RESISTOR 3.92K 1% .125W TF TC=0+-100	28480	0757-0435
A1R206	0698-8954	8	1	RESISTOR 500K .1% .125W TF TC=0+-10	28480	0698-8954
A1R207	0699-1125	3	1	RESISTOR 40K .1% .6W TF TC=0+-1.3	28480	0699-1125
A1R208	0699-2642	7	1	RESISTOR 4.53K .1% .25W TF TC=0+-5	19701	5033ZA4K5308
A1R209	0698-8966	2	1	RESISTOR 634 1% .1W TF TC=0+-10	28480	0698-8966
A1R210	0699-1628	2	1	RESISTOR 90 .1% .125W TF TC=0+-10	19701	5033ZB90R008
A1R211	0699-1627	6	1	RESISTOR 9 .1% .125W TF TC=0+-10	28480	0699-1627
A1R212	0811-3709	9	1	RESISTOR 1 1% 3W PW TC=0+-50	91637	RS2B-227
A1R213	03458-82501	1	1	RESISTOR 0.1 OHM SHUNT +-10% TC+-5PPM	28480	03458-82501
A1R214	0757-0465	6		RESISTOR 100K 1% .125W TF TC=0+-100	24546	CT4-1/8-T0-1003-F
A1R215-R218	0699-0642	7	4	RESISTOR 10K .1% .1W TF TC=0+-5	19701	5023ZA10K008
A1R219	0757-0283	6		RESISTOR 2K 1% .125W TF TC=0+-100	24546	CT4-1/8-T0-2001-F
A1R302	0757-0280	3		RESISTOR 1K 1% .125W TF TC=0+-100	24546	CT4-1/8-T0-1001-F
A1R303	0757-0401	0	1	RESISTOR 100 1% .125W TF TC=0+-100	24546	CT4-1/8-T0-101-F
A1R304	0757-0431	6		RESISTOR 2.43K 1% .125W TF TC=0+-100	24546	CT4-1/8-T0-2431-F
A1R305	0757-0433	8		RESISTOR 3.32K 1% .125W TF TC=0+-100	24546	CT4-1/8-T0-3321-F
A1R306	0699-1065	0	1	RESISTOR 10K 5% .25W CC TC=-400/+700	01121	CB1035
A1R307	0699-2427	7	1	RESISTOR 300 .5% .3W MF TC=0+-1.3	28480	0699-2427
A1R308	0699-2426	5	1	RESISTOR 3K .5% .3W MF TC=0+-1.3	28480	0699-2426
A1R310	0699-2425	3	1	RESISTOR 10K .5% .3W MF TC=0+-1.3	28480	0699-2425
A1R311	0757-0288	1	1	RESISTOR 9.09K 1% .125W TF TC=0+-100	19701	5033R-1/8-T0-9091-F
A1R312	0757-0407	6	1	RESISTOR 200 1% .125W TF TC=0+-100	24546	CT4-1/8-T0-201-F
A1R317-R318	0757-0442	9		RESISTOR 10K 1% .125W TF TC=0+-100	24546	CT4-1/8-T0-1002-F
A1R319	0757-0427	0	1	RESISTOR 1.5K 1% .125W TF TC=0+-100	24546	CT4-1/8-T0-1501-F
A1R320	0757-0477	0	1	RESISTOR 332K 1% .125W TF TC=0+-100	19701	5033R-1/8-T0-3323-F
A1R321	0757-0471	4		RESISTOR 182K 1% .125W TF TC=0+-100	24546	CT4-1/8-T0-1823-F
A1R322	0683-3955	8	1	RESISTOR 3.9M 5% .25W CC TC=-900/+1100	01121	CB3955
A1R400	0757-0284	7	1	RESISTOR 150 1% .125W TF TC=0+-100	24546	CT4-1/8-T0-151-F
A1R402-R403	0699-0515	3	1	RESISTOR 9.53K .1% .1W TF TC=0+-15	28480	0699-0515
A1R404	0757-0280	3		RESISTOR 1K 1% .125W TF TC=0+-100	24546	CT4-1/8-T0-1001-F
A1RP1-RP4	1810-0374	1	4	NETWORK-RES 8-SIP 1.0K OHM X 4	01121	208B102
A1RP5	1810-0371	8	1	NETWORK-RES 8-SIP 100.0K OHM X 7	01121	208A104
A1RP6	1810-0321	8	2	NETWORK-RES 8-SIP 220.0K OHM X 7	01121	208A224
A1RP7	1810-1170	8	1	NETWORK-RES 9-SIP MULTI-VALUE	28480	1810-1170
A1RP100	1810-1169	3	1	NETWORK-RES 6-SIP MULTI-VALUE	28480	1810-1169
A1RP200	1810-0321	8		NETWORK-RES 8-SIP 220.0K OHM X 7	01121	208A224
A1RP300	1QJ4-0104	7	1	IC-RES NTWK;20-PIN CERDIP	28480	1QJ4-0104
A1RP301-RP302	1810-0507	2	2	NETWORK-RES 8-SIP 33.0K OHM X 7	01121	208A333
A1RP303	1810-0206	8	1	NETWORK-RES 8-SIP 10.0K OHM X 7	01121	208A103
A1RP400	1810-1171	3	1	NETWORK-RESISTOR	73138	1694-10-1
A1RV300	0837-0382	3	1	DIODE-VRTS 1.1KV	28480	0837-0382
A1TP1-TP5	1251-0600	0	15	CONNECTOR-SGL CONT PIN 1.14-MM-BSC-SZ SQ	27264	16-06-0034
A1TP10-TP11	1251-0600	0		CONNECTOR-SGL CONT PIN 1.14-MM-BSC-SZ SQ	27264	16-06-0034
A1TP100-TP101	1251-0600	0		CONNECTOR-SGL CONT PIN 1.14-MM-BSC-SZ SQ	27264	16-06-0034
A1TP300-TP303	1251-0600	0		CONNECTOR-SGL CONT PIN 1.14-MM-BSC-SZ SQ	27264	16-06-0034
A1TP400-TP401	1251-0600	0		CONNECTOR-SGL CONT PIN 1.14-MM-BSC-SZ SQ	27264	16-06-0034

HP 3458A A1 ASSEMBLY (03458-66501) REPLACEMENT PARTS

Reference Designation	HP Part Number	C D	Qty	Part Description	Mfr. Code	Mfr. Part Number
A1U1	1820-1662	3	10	IC SHF-RGTR CMOS SERIAL-IN PRL-OUT 8-BIT	04713	MC14094BCP
A1U2-U3	1858-0047	5	3	TRANSISTOR ARRAY 16-PIN PLSTC DIP	56289	ULN-2003A
A1U4	1820-1662	3		IC SHF-RGTR CMOS SERIAL-IN PRL-OUT 8-BIT	04713	MC14094BCP
A1U5	1826-0850	4	3	ANALOG SWITCH -PIN	17856	DG211CJ
A1U6	1820-1662	3		IC SHF-RGTR CMOS SERIAL-IN PRL-OUT 8-BIT	04713	MC14094BCP
A1U7-U8	1826-0347	1	6	IC COMPARATOR GP QUAD 14-DIP-P PKG	27014	LM339N SELECTED
A1U9	1820-1662	3		IC SHF-RGTR CMOS SERIAL-IN PRL-OUT 8-BIT	04713	MC14094BCP
A1U10	1826-1370	3	3	IC COMPARATOR QUAD 16-DIP-P PKG	27014	LP365N
A1U11	1826-0347	1		IC COMPARATOR GP QUAD 14-DIP-P PKG	27014	LM339N SELECTED
A1U12	1826-1544	8	3	IC OP AMP H-SLEW-RATE 8-DIP-P PKG	04713	MC34081P
A1U13	1826-1035	1	1	D/A 8-BIT 16-PLASTIC BPLR	06665	DAC-08CP
A1U14	1820-1662	3		IC SHF-RGTR CMOS SERIAL-IN PRL-OUT 8-BIT	04713	MC14094BCP
A1U15	1826-1533	0	2	IC OP AMP H-SLEW-RATE DUAL 8-DIP-P PKG	04713	MC34072P
A1U16	1826-1204	0	1	D/A 8-BIT 20-PLASTIC CMOS	24355	AD7528JN
A1U17	1820-1662	3		IC SHF-RGTR CMOS SERIAL-IN PRL-OUT 8-BIT	04713	MC14094BCP
A1U20	1826-0347	1		IC COMPARATOR GP QUAD 14-DIP-P PKG	27014	LM339N SELECTED
A1U21	1826-1816	8	1	IC TEMPERATURE TRANSDUCER TO-92	27014	LM35DZ
A1U22	1820-1753	3	1	IC FF CMOS D-TYPE POS-EDGE-TRIG	27014	MM74C74N
A1U24	1826-1533	0		IC OP AMP H-SLEW-RATE DUAL 8-DIP-P PKG	04713	MC34072P
A1U100	1826-1544	8		IC OP AMP H-SLEW-RATE 8-DIP-P PKG	04713	MC34081P
A1U101	1826-0346	0	1	IC OP AMP GP DUAL 8-DIP-P PKG	27014	LM358N
A1U102	1826-1544	8		IC OP AMP H-SLEW-RATE 8-DIP-P PKG	04713	MC34081P
A1U103	1826-0347	1		IC COMPARATOR GP QUAD 14-DIP-P PKG	27014	LM339N SELECTED
A1U104	1826-0850	4		ANALOG SWITCH -PIN	17856	DG211CJ
A1U105	1826-1767	4	1	IC OP AMP LOW_NOISE 8-DIP-P PKG (LT1008CN8)	28480	1826-1767
A1U106	1820-1662	3		IC SHF-RGTR CMOS SERIAL-IN PRL-OUT 8-BIT	04713	MC14094BCP
A1U107	1826-0544	0	1	IC V RGLTR-V-REF-FXD 2.5V 8-DIP-C PKG	34333	SG3503Y
A1U108	1854-1199	1	1	TRANSISTOR-DUAL NPN PD=500MW	27014	LM3948N
A1U201	1820-1662	3		IC SHF-RGTR CMOS SERIAL-IN PRL-OUT 8-BIT	04713	MC14094BCP
A1U202	1858-0047	5		TRANSISTOR ARRAY 16-PIN PLSTC DIP	56289	ULN-2003A
A1U203	1820-1662	3		IC SHF-RGTR CMOS SERIAL-IN PRL-OUT 8-BIT	04713	MC14094BCP
A1U204	1826-0347	1		IC COMPARATOR GP QUAD 14-DIP-P PKG	27014	LM339N SELECTED
A1U205	1826-0412	1	1	IC COMPARATOR PRCN DUAL 8-DIP-P PKG	27014	LM393N
A1U206	1826-0887	4	1	IC OP AMP LOW-BIAS-H-IMPED DUAL 8-DIP-P	27014	LF412CN (SELECTED)
A1U300	1813-0437	2	1	IC OP AMP PRCN 8-TO-99 PKG	28480	1813-0437
A1U301	1826-0635	0	2	IC OP AMP LOW-OFS 8-DIP-P PKG	06665	OP-07CP
A1U302	1858-0048	6	1	TRANSISTOR ARRAY 16-PIN PLSTC DIP	34371	CA3082E
A1U303-U304	1826-1370	3		IC COMPARATOR QUAD 16-DIP-P PKG	27014	LP365N
A1U305	1826-0635	0		IC OP AMP LOW-OFS 8-DIP-P PKG	06665	OP-07CP
A1U306	1826-0850	4		ANALOG SWITCH -PIN	17856	DG211CJ
A1U307	1820-1662	3		IC SHF-RGTR CMOS SERIAL-IN PRL-OUT 8-BIT	04713	MC14094BCP
A1U400	1826-1409	9	1	IC OP AMP LOW-NOISE DUAL 8-DIP-P PKG	28480	1826-1409
A1W1	8150-4721	7	2	WIRE-JUMPER 22-AWG BLU 150-LG	28480	8150-4721
A1W2	03458-61626	8	2	CABLE ASSY-COAXIAL	28480	03458-61626
A1W3	8150-4721	7		WIRE-JUMPER 22-AWG BLU 150-LG	28480	8150-4721
A1W100	03458-61626	8		CABLE ASSY-COAXIAL	28480	03458-61626
A1Z300	1813-0590	6	1	PROTECTION NETWORK	28480	1813-0590
PC ASSEMBLY MOUNTING HARDWARE						
	0515-0372	2	8	SCREW-MACHINE M3 X 0.5 8MM-LG TORX T10	28480	0515-0372
	0515-1410	1	2	SCREW-MACHINE M3 X 0.5 20MM-LG TORX T10	28480	0515-1410

Mfr. Code	Manufacturer's Name	Manufacturer's Address			Zip Code
01121	ALLEN-BRADLEY CO INC	EL PASO	TX	US	79935
04222	AVX CORP	GREAT NECK	NY	US	11021
04713	MOTOROLA INC	ROSELLE	IL	US	60195
06665	PRECISION MONOLITHICS INC	SANTA CLARA	CA	US	95054
13103	THERMALLOY INC	DALLAS	TX	US	75234
17856	SILICONIX INC	SANTA CLARA	CA	US	95054
18873	DUPONT E I DE NEMOURS & CO	WILMINGTON	DE	US	19801
19701	MEPCO/CENTRALAB INC	RIVIERA	FL	US	33404
21317	ELECTRONIC APPLICATIONS CO	EL MONTE	CA	US	91731
24226	GOWANDA ELECTRONICS CORP	GOWANDA	NY	US	14070
24355	ANALOG DEVICES INC	NORWOOD	MA	US	02062
24546	CORNING GLASS WORKS	CORNING	NY	US	14830
27014	NATIONAL SEMICONDUCTOR CORP	SANTA CLARA	CA	US	95052
27264	MOLEX INC	LISLE	IL	US	60532
28480	HEWLETT PACKARD COMPANY - CORPORATE	PALO ALTO	CA	US	94304
30043	SOLID STATE DEVICES INC	LA MIRADA	CA	US	90638
34333	SILICON GENERAL INC	SAN JOSE	CA	US	95134
34371	HARRIS CORP	MELBOURNE	FL	US	32901
50088	SGS-THOMSON MICROELECTRONICS INC	PHOENIX	AZ	US	85022
55285	BERGQUIST CO	MINNEAPOLIS	MN	US	55420
56289	SPRAGUE ELECTRIC CO	LEXINGTON	MA	US	02173
59730	THOMAS & BETTS CORP	RARITAN	NJ	US	08869
71707	COTO CORP	PROVIDENCE	RI	US	02907
71744	GENERAL INSTRUMENT CORP	CLIFTON	NJ	US	07012
73138	BECKMAN INDUSTRIAL CORP	FULLERTON	CA	US	92635
75915	LITTELFUSE INC	DES PLAINES	IL	US	60016
76381	3M CO	ST PAUL	MN	US	55144
83125	NYTRONICS INC CAPACITOR DIV	DARLINGTON	SC	US	29532
91637	DALE ELECTRONICS INC	COLUMBUS	NE	US	68601
99800	AMER PRCN IND INC DELEVAN DIV	AURORA	NY	US	14052

PI 3450A
A2 ASSEMBLY (03458-66502) REPLACEMENT PARTS

Reference Designation	HP Part Number	C D	Qty	Part Description	Mfr. Code	Mfr. Part Number
A2	03458-66502	9	1	PRINTED CIRCUIT ASSEMBLY-AC CONVERTER	28480	03458-66502
A2C1-C2	0160-4832	4	5	CAPACITOR-FXD .01UF +-10% 100VDC CER	04222	SA101C103KAAH
A2C101	0160-6995	4	1	CAPACITOR-FXD 197PF 2% 50VDC 30PPM/DEG C	28480	0160-6995
A2C102	0160-5913	4	4	CAPACITOR-FXD 36PF +-5% 200VDC CER 0+-30	28480	0160-5913
A2C103	0160-6989	8	2	CAPACITOR-FXD 20PF 2% 1KV 0+-30PPM/DEG C	28480	0160-6989
A2C104	0160-6990	1	1	CAPACITOR FXD 400PF 3% 500V 30PPM/DEG C	28480	0160-6990
A2C106	0150-0012	3	1	CAPACITOR-FXD .01UF +-20% 1KVDC CER	28480	0150-0012
A2C201	0160-5699	3	2	CAPACITOR-FXD 20PF +-5% 100VDC CER 0+-30	56289	592CC0G200J100B
A2C202	0160-6996	9	1	CAPACITOR-FXD 2150PF 2% 50V 30PPM/DEG C	28480	0160-6996
A2C203	0160-6989	8	2	CAPACITOR-FXD 20PF 2% 1KV 0+-30PPM/DEG C	28480	0160-6989
A2C204	0160-5336	6	2	CAPACITOR-FXD 20PF +-20% 3KVDC CER	56289	564CP3KAA302AE200M
A2C205	0160-4791	4	5	CAPACITOR-FXD 10PF +-5% 100VDC CER 0+-30	04222	SA102A100JAAH
A2C206	0160-4832	4	4	CAPACITOR-FXD .01UF +-10% 100VDC CER	04222	SA101C103KAAH
A2C207	0160-4814	2	4	CAPACITOR-FXD 150PF +-5% 100VDC CER	04222	SA101A151JAAH
A2C208	0160-3986	7	1	CAPACITOR-FXD .22UF +-10% 400VDC	14752	210BE224K
A2C209	0160-5896	2	2	CAPACITOR-FXD 1PF +- .25PF 100VDC CER	28480	0160-5896
A2C210	0160-5336	6	6	CAPACITOR-FXD 20PF +-20% 3KVDC CER	56289	564CP3KAA302AE200M
A2C211	0180-1746	5	9	CAPACITOR-FXD 15UF+-10% 20VDC TA	56289	150D156X9020B2-DYS
A2C301-C302	0160-4571	8	20	CAPACITOR-FXD .1UF +80-20% 50VDC CER	04222	SA105E104ZAAH
A2C303	0160-4791	4	4	CAPACITOR-FXD 10PF +-5% 100VDC CER 0+-30	04222	SA102A100JAAH
A2C401	0160-4791	4	4	CAPACITOR-FXD 10PF +-5% 100VDC CER 0+-30	04222	SA102A100JAAH
A2C402	0160-4832	4	4	CAPACITOR-FXD .01UF +-10% 100VDC CER	04222	SA101C103KAAH
A2C403	0160-4799	2	2	CAPACITOR-FXD 2.2PF +- .25PF 100VDC CER	04222	MA101A2R2CAAH
A2C404-C407	0160-4571	8	8	CAPACITOR-FXD .1UF +80-20% 50VDC CER	04222	SA105E104ZAAH
A2C408	0160-5913	4	4	CAPACITOR-FXD 36PF +-5% 200VDC CER 0+-30	28480	0160-5913
A2C409	0160-4791	4	4	CAPACITOR-FXD 10PF +-5% 100VDC CER 0+-30	04222	SA102A100JAAH
A2C410-C411	0160-4814	2	2	CAPACITOR-FXD 150PF +-5% 100VDC CER	04222	SA101A151JAAH
A2C412	0160-4809	5	4	CAPACITOR-FXD 390PF +-5% 100VDC CER	04222	SA101A391JAAH
A2C413	0160-5100	4	1	CAPACITOR-FXD 2700PF +-5% 100VDC CER	04222	SA301A272JAAH
A2C501-C502	0160-4571	8	8	CAPACITOR-FXD .1UF +80-20% 50VDC CER	04222	SA105E104ZAAH
A2C503	0160-4535	4	1	CAPACITOR-FXD 1UF +-10% 50VDC CER	04222	SR305C105KAAH
A2C504	0160-5896	2	2	CAPACITOR-FXD 1PF +- .25PF 100VDC CER	28480	0160-5896
A2C505-C506	0160-4571	8	8	CAPACITOR-FXD .1UF +80-20% 50VDC CER	04222	SA105E104ZAAH
A2C507	0160-5699	3	3	CAPACITOR-FXD 20PF +-5% 100VDC CER 0+-30	56289	592CC0G200J100B
A2C508	0160-4799	2	2	CAPACITOR-FXD 2.2PF +- .25PF 100VDC CER	04222	MA101A2R2CAAH
A2C509	0160-5913	4	4	CAPACITOR-FXD 36PF +-5% 200VDC CER 0+-30	28480	0160-5913
A2C510	0160-4820	1	2	CAPACITOR-FXD 1800PF +-5% 100VDC CER	04222	SA301A182JAAH
A2C601-C602	0160-4571	8	8	CAPACITOR-FXD .1UF +80-20% 50VDC CER	04222	SA105E104ZAAH
A2C603-C605	0160-6207	2	3	CAPACITOR-FXD 1UF +-5% 50VDC MET-POLYC	28480	0160-6207
A2C606	0160-6395	6	1	CAPACITOR-FXD .22UF +-5% 50VDC MET-POLYC	28480	0160-6395
A2C607	0160-4232	8	1	CAPACITOR-FXD .047UF +5-0% 50VDC	28480	0160-4232
A2C701-C706	0180-1746	5	5	CAPACITOR-FXD 15UF+-10% 20VDC TA	56289	150D156X9020B2-DYS
A2C707-C708	0160-4571	8	8	CAPACITOR-FXD .1UF +80-20% 50VDC CER	04222	SA105E104ZAAH
A2C709-C710	0180-1746	5	5	CAPACITOR-FXD 15UF+-10% 20VDC TA	56289	150D156X9020B2-DYS
A2C711	0160-4571	8	8	CAPACITOR-FXD .1UF +80-20% 50VDC CER	04222	SA105E104ZAAH
A2C801	0160-4571	8	8	CAPACITOR-FXD .1UF +80-20% 50VDC CER	04222	SA105E104ZAAH
A2C802	0160-4832	4	4	CAPACITOR-FXD .01UF +-10% 100VDC CER	04222	SA101C103KAAH
A2C901-C902	0160-4571	8	8	CAPACITOR-FXD .1UF +80-20% 50VDC CER	04222	SA105E104ZAAH
A2C903	03458-61624	2	1	CABEL ASSEMBLY-COAXIAL	28480	03458-61624
A2C904	0160-4820	1	1	CAPACITOR-FXD 1800PF +-5% 100VDC CER	04222	SA301A182JAAH
A2C905	0160-5913	4	4	CAPACITOR-FXD 36PF +-5% 200VDC CER 0+-30	28480	0160-5913
A2C906	0160-4571	8	8	CAPACITOR-FXD .1UF +80-20% 50VDC CER	04222	SA105E104ZAAH
A2C907	0160-4809	5	5	CAPACITOR-FXD 390PF +-5% 100VDC CER	04222	SA101A391JAAH
A2C908	0160-4571	8	8	CAPACITOR-FXD .1UF +80-20% 50VDC CER	04222	SA105E104ZAAH
A2C909	0160-4809	5	5	CAPACITOR-FXD 390PF +-5% 100VDC CER	04222	SA101A391JAAH
A2C910	0160-4814	2	2	CAPACITOR-FXD 150PF +-5% 100VDC CER	04222	SA101A151JAAH
A2C911	0160-4535	4	1	CAPACITOR-FXD 1UF +-10% 50VDC CER	04222	SR305C105KAAH
A2C912	0160-4791	4	4	CAPACITOR-FXD 10PF +-5% 100VDC CER 0+-30	04222	SA102A100JAAH
A2C913	0160-4809	5	5	CAPACITOR-FXD 390PF +-5% 100VDC CER	04222	SA101A391JAAH

A2 ASSEMBLY (03458-66502) REPLACEMENT PARTS

Reference Designation	HP Part Number	C	Qty	Part Description	Mfr. Code	Mfr. Part Number
A2CR1-CR3	1902-0953	7	8	DIODE-ZENER 6.2V 5% DO-35 PD=.4W TC=+.053%	28480	1902-0953
A2CR4	1900-0233	9	5	DIODE-SCHOTTKY SM SIG 1N5711	50088	1N5711
A2CR101-CR108	1901-0880	7	19	DIODE-GENERAL PURPOSE 125MA DO-35	28480	1901-0880
A2CR109	1902-0953	7		DIODE-ZENER 6.2V 5% DO-35 PD=.4W TC=+.053%	28480	1902-0953
A2CR110-CR112	1901-0880	7		DIODE-GENERAL PURPOSE 125MA DO-35	28480	1901-0880
A2CR113-CR114	1902-0960	6	6	DIODE-ZENER 12V 5% DO-35 PD=.4W TC=+.077%	50088	1N963B
A2CR115-CR116	1902-0953	7		DIODE-ZENER 6.2V 5% DO-35 PD=.4W TC=+.053%	28480	1902-0953
A2CR117-CR118	1901-0880	7		DIODE-GENERAL PURPOSE 125MA DO-35	28480	1901-0880
A2CR201	1901-0880	7		DIODE-GENERAL PURPOSE 125MA DO-35	28480	1901-0880
A2CR202-CR203	1902-0960	6		DIODE-ZENER 12V 5% DO-35 PD=.4W TC=+.077%	50088	1N963B
A2CR204	0122-0300	4	2	DIODE-VVC 100PF 5% C2/C20-MIN=2 BVR=20V	28480	0122-0300
A2CR205-CR206	1902-0960	6		DIODE-ZENER 12V 5% DO-35 PD=.4W TC=+.077%	50088	1N963B
A2CR301-CR302	1901-0880	7		DIODE-GENERAL PURPOSE 125MA DO-35	28480	1901-0880
A2CR303	1900-0233	9		DIODE-SCHOTTKY SM SIG 1N5711	50088	1N5711
A2CR401	1902-0953	7		DIODE-ZENER 6.2V 5% DO-35 PD=.4W TC=+.053%	28480	1902-0953
A2CR402	0122-0300	4		DIODE-VVC 100PF 5% C2/C20-MIN=2 BVR=20V	28480	0122-0300
A2CR403-CR404	1900-0233	9		DIODE-SCHOTTKY SM SIG 1N5711	50088	1N5711
A2CR405-CR406	1901-0880	7		DIODE-GENERAL PURPOSE 125MA DO-35	28480	1901-0880
A2CR901-CR902	1901-0527	9	3	DIODE-CURRENT REGULATOR 75V DO-7	28480	1901-0527
A2CR903	1900-0233	9		DIODE-SCHOTTKY SM SIG 1N5711	50088	1N5711
A2CR904	1902-0953	7		DIODE-ZENER 6.2V 5% DO-35 PD=.4W TC=+.053%	28480	1902-0953
A2CR905	1901-0880	7		DIODE-GENERAL PURPOSE 125MA DO-35	28480	1901-0880
A2CR907	1901-0527	9		DIODE-CURRENT REGULATOR 75V DO-7	28480	1901-0527
A2E101	1970-0073	5	1	TUBE-ELECTRON SURGE VOLTAGE PROTECTOR	28480	1970-0073
A2F1	2110-0757	1	1	FUSE-SUBMINIATURE .063A 125V AX UL CSA	75915	R251.062T1
A2F2-F3	2110-0671	8	4	FUSE-SUBMINIATURE .125A 125V NTD AX	75915	R251.125T1
A2F701-F702	2110-0671	8		FUSE-SUBMINIATURE .125A 125V NTD AX	75915	R251.125T1
A2J1-J2	1251-3961	2	2	CONNECTOR-POST TYPE .156-PIN-SPCG 6-CONT	27264	09-48-3064
A2JM1-JM3	7175-0057	5	10	RESISTOR-ZERO OHMS SOLID TINNED COPPER	19701	5020CXOR000SB2AAZ
A2JM301	7175-0057	5		RESISTOR-ZERO OHMS SOLID TINNED COPPER	19701	5020CXOR000SB2AAZ
A2JM401-JM403	7175-0057	5		RESISTOR-ZERO OHMS SOLID TINNED COPPER	19701	5020CXOR000SB2AAZ
A2JM501-JM502	7175-0057	5		RESISTOR-ZERO OHMS SOLID TINNED COPPER	19701	5020CXOR000SB2AAZ
A2JM901	7175-0057	5		RESISTOR-ZERO OHMS SOLID TINNED COPPER	19701	5020CXOR000SB2AAZ
A2K201	0490-1655	3	2	RELAY 1C 5VDC-COIL 2A 220VDC	28480	0490-1655
A2K202	0490-1651	4	1	RELAY-LATCHING AROMAT DS2E-SL2-DC12V-C-T14	28480	0490-1651
A2K203	0490-1655	3		RELAY 1C 5VDC-COIL 2A 220VDC	28480	0490-1655
A2LBL1	7120-6830	9	1	LABEL-INFO WRNTY DATE CODE .25-IN-WD .625-IN-LG	28480	7120-6830
A2LBL2	9320-5333	1	1	LABEL-INFO ENG REV CODE; .625-IN-WD X .25-IN-LG	28480	9320-5333
A2P1	1251-8106	1	1	CONNECTOR-POST TYPE .100-PIN-SPCG 20-CONT	76381	3592-6002
A2Q101	1855-0743	5	2	TRANSISTOR J-FET N-CHAN D-MODE TO-92 SI	27014	NSID5092/F50188A
A2Q102	1855-0425	7	5	TRANSISTOR J-FET N-CHAN D-MODE TO-92 SI	27014	J304
A2Q103	1855-0743	5		TRANSISTOR J-FET N-CHAN D-MODE TO-92 SI	27014	NSID5092/F50188A
A2Q104	1855-0425	7		TRANSISTOR J-FET N-CHAN D-MODE TO-92 SI	27014	J304
A2Q105	1855-0386	9	4	TRANSISTOR J-FET N-CHAN D-MODE TO-18 SI	04713	2N4392
A2Q201	1853-0565	2	3	TRANSISTOR PNP SI TO-92 PD=310MW	04713	2N4403
A2Q202-Q203	1855-0425	7		TRANSISTOR J-FET N-CHAN D-MODE TO-92 SI	27014	J304
A2Q401	1854-1039	9	5	TRANSISTOR NPN SI TO-92 PD=310MW	04713	2N4401
A2Q402	1855-0739	6	1	TRANSISTOR-JFET DUAL N-CHAN TO-78 SI	17856	M5911
A2Q403	1853-0083	9	1	TRANSISTOR-DUAL PNP PD=600MW	28480	1853-0083
A2Q501	1854-1039	9		TRANSISTOR NPN SI TO-92 PD=310MW	04713	2N4401
A2Q601	1855-0425	7		TRANSISTOR J-FET N-CHAN D-MODE TO-92 SI	27014	J304
A2Q701	1854-1039	9		TRANSISTOR NPN SI TO-92 PD=310MW	04713	2N4401
A2Q702	1853-0565	2		TRANSISTOR PNP SI TO-92 PD=310MW	04713	2N4403
A2Q801-Q802	1855-0386	9		TRANSISTOR J-FET N-CHAN D-MODE TO-18 SI	04713	2N4392
A2Q901	1854-1028	6	1	TRANSISTOR NPN SI PD=350MW FT=300MHZ	04713	2N3904
A2Q902	1854-1039	9		TRANSISTOR NPN SI TO-92 PD=310MW	04713	2N4401

HP 3458A

A2 ASSEMBLY (03458-66502) REPLACEMENT PARTS

Reference Designation	HP Part Number	C	Qty	Part Description	Mfr. Code	Mfr. Part Number
A2Q903	1853-0565	2		TRANSISTOR PNP SI TO-92 PD=310MW	04713	2N4403
A2Q904	1855-0432	7	1	TRANSISTOR MOSFET P-CHAN E-MODE	17856	3N163
A2Q905	1855-0420	2	1	TRANSISTOR J-FET N-CHAN D-MODE	17856	2N4391
A2Q906	1855-0386	9		TRANSISTOR J-FET N-CHAN D-MODE TO-18 SI	04713	2N4392
A2Q907	1854-1039	9		TRANSISTOR NPN SI TO-92 PD=310MW	04713	2N4401
A2R1	0757-0466	7	6	RESISTOR 110K 1% .125W TF TC=0+-100	24546	CT4-1/8-T0-1103-F
A2R2-R4	0698-3228	9	9	RESISTOR 49.9K 1% .125W TF TC=0+-100	28480	0698-3228
A2R5	0757-0273	4	8	RESISTOR 3.01K 1% .125W TF TC=0+-100	24546	CT4-1/8-T0-3011-F
A2R6	0757-0401	0	5	RESISTOR 100 1% .125W TF TC=0+-100	24546	CT4-1/8-T0-101-F
A2R101	0757-0407	6	12	RESISTOR 200 1% .125W TF TC=0+-100	24546	CT4-1/8-T0-201-F
A2R102	0698-6366	3	2	RESISTOR 800 .1% .125W F TC=0=125	28480	0698-6366
A2R103	0757-0273	4		RESISTOR 3.01K 1% .125W TF TC=0+-100	24546	CT4-1/8-T0-3011-F
A2R104	0698-6939	5	1	RESISTOR 160K 1% .125W TF TC=0+-25	28480	0698-6939
A2R105	0699-2434	9	1	RESISTOR 1.4M .5% .125W 100PPM/DEG C	28480	0699-2434
A2R106	0757-0401	0		RESISTOR 100 1% .125W TF TC=0+-100	24546	CT4-1/8-T0-101-F
A2R107	0699-1980	8	2	RESISTOR 900K .1% .125W TF TC=0+-25	28480	0699-1980
A2R108	0698-6015	9	1	RESISTOR 200K 1% .5W TF TC=0+-50	28480	0698-6015
A2R109	0698-3228	9		RESISTOR 49.9K 1% .125W TF TC=0+-100	28480	0698-3228
A2R110-R114	0757-0442	9	12	RESISTOR 10K 1% .125W TF TC=0+-100	24546	CT4-1/8-T0-1002-F
A2R115	0699-0057	8	4	RESISTOR 9K .1% .1W TF TC=0+-5	28480	0699-0057
A2R116	0698-3497	4	5	RESISTOR 6.04K 1% .125W TF TC=0+-100	24546	CT4-1/8-T0-604R-F
A2R117	0698-3228	9		RESISTOR 49.9K 1% .125W TF TC=0+-100	28480	0698-3228
A2R118	0699-1980	8	1	RESISTOR 900K .1% .125W TF TC=0+-25	28480	0699-1980
A2R201	0698-6670	1	2	RESISTOR 1K .5% .125W TF TC=0+-25	28480	0698-6670
A2R202	0699-0057	8		RESISTOR 9K .1% .1W TF TC=0+-5	28480	0699-0057
A2R203	0698-6363	9	1	RESISTOR 40K .1% .125W TF TC=0+-25	28480	0698-6363
A2R204	0699-0449	2	1	RESISTOR 100 .1% .1W TF TC=0+-5	28480	0699-0449
A2R205	0699-0057	8		RESISTOR 9K .1% .1W TF TC=0+-5	28480	0699-0057
A2R206	0757-0277	8	2	RESISTOR 49.9 1% .125W TF TC=0+-100	28480	0757-0277
A2R207	0698-6344	7	1	RESISTOR 900 .1% .125W F TC=0+-25	28480	0698-6344
A2R208-R209	0699-2469	1	2	RESISTOR 500K .25% .25W TF TC=0+-5	28480	0699-2469
A2R210-R211	0698-3497	4		RESISTOR 6.04K 1% .125W TF TC=0+-100	24546	CT4-1/8-T0-604R-F
A2R213	0698-3228	9		RESISTOR 49.9K 1% .125W TF TC=0+-100	28480	0698-3228
A2R214	0757-0442	9		RESISTOR 10K 1% .125W TF TC=0+-100	24546	CT4-1/8-T0-1002-F
A2R215-R216	0757-0273	4		RESISTOR 3.01K 1% .125W TF TC=0+-100	24546	CT4-1/8-T0-3011-F
A2R301	0757-0442	9		RESISTOR 10K 1% .125W TF TC=0+-100	24546	CT4-1/8-T0-1002-F
A2R302	0698-6670	1		RESISTOR 1K .5% .125W TF TC=0+-25	28480	0698-6670
A2R303	0699-0057	8		RESISTOR 9K .1% .1W TF TC=0+-5	28480	0699-0057
A2R304	0757-0442	9		RESISTOR 10K 1% .125W TF TC=0+-100	24546	CT4-1/8-T0-1002-F
A2R401	0757-0401	0		RESISTOR 100 1% .125W TF TC=0+-100	24546	CT4-1/8-T0-101-F
A2R402	0757-0280	3	10	RESISTOR 1K 1% .125W TF TC=0+-100	24546	CT4-1/8-T0-1001-F
A2R403	0698-4431	8	4	RESISTOR 2.05K 1% .125W TF TC=0+-100	24546	CT4-1/8-T0-2051-F
A2R404	0757-0407	6		RESISTOR 200 1% .125W TF TC=0+-100	24546	CT4-1/8-T0-201-F
A2R405	0698-3228	9		RESISTOR 49.9K 1% .125W TF TC=0+-100	28480	0698-3228
A2R406	0699-1307	7	1	RESISTOR 1.96K .1% .1W TF TC=0+-5	28480	0699-1307
A2R407	0757-0381	5	2	RESISTOR 15 1% .125W TF TC=0+-100	19701	5033R-1/8-T0-15R0-F
A2R408	0699-2435	4	1	RESISTOR 83.5 .25% 10PPM/DEG C	28480	0699-2435
A2R409	0698-4123	5	3	RESISTOR 499 1% .125W TF TC=0+-100	24546	CT4-1/8-T0-499R-F
A2R410-R411	0698-6377	6	2	RESISTOR 200 .1% .125W TF TC=0+-25	28480	0698-6377
A2R412	0757-0280	3		RESISTOR 1K 1% .125W TF TC=0+-100	24546	CT4-1/8-T0-1001-F
A2R413	0698-4123	5		RESISTOR 499 1% .125W TF TC=0+-100	24546	CT4-1/8-T0-499R-F
A2R414	0757-0442	9		RESISTOR 10K 1% .125W TF TC=0+-100	24546	CT4-1/8-T0-1002-F
A2R415	0698-6366	3		RESISTOR 800 .1% .125W F TC=0=125	28480	0698-6366
A2R416	0699-1627	6	1	RESISTOR 9 .1% .125W TF TC=0+-10	28480	0699-1627
A2R417	0757-0407	6		RESISTOR 200 1% .125W TF TC=0+-100	24546	CT4-1/8-T0-201-F
A2R418-R419	0757-0442	9		RESISTOR 10K 1% .125W TF TC=0+-100	24546	CT4-1/8-T0-1002-F
A2R420	0698-4431	8		RESISTOR 2.05K 1% .125W TF TC=0+-100	24546	CT4-1/8-T0-2051-F
A2R421	0698-4473	8	1	RESISTOR 8.06K 1% .125W TF TC=0+-100	24546	CT4-1/8-T0-8061-F
A2R501-R502	0757-0273	4		RESISTOR 3.01K 1% .125W TF TC=0+-100	24546	CT4-1/8-T0-3011-F
A2R503	0757-0407	6		RESISTOR 200 1% .125W TF TC=0+-100	24546	CT4-1/8-T0-201-F
A2R504	0757-0381	5		RESISTOR 15 1% .125W TF TC=0+-100	19701	5033R-1/8-T0-15R0-F
A2R505	0757-0407	6		RESISTOR 200 1% .125W TF TC=0+-100	24546	CT4-1/8-T0-201-F
A2R506	0757-0288	1	2	RESISTOR 9.09K 1% .125W TF TC=0+-100	19701	5033R-1/8-T0-9091-F
A2R507	0757-0280	3		RESISTOR 1K 1% .125W TF TC=0+-100	24546	CT4-1/8-T0-1001-F

A2 ASSEMBLY (03458-66502) REPLACEMENT PARTS

Reference Designation	HP Part Number	C D	Qty	Part Description	Mfr. Code	Mfr. Part Number
A2R508	0757-0407	6		RESISTOR 200 1% .125W TF TC=0+-100	24546	CT4-1/8-T0-201-F
A2R510	0757-0288	1		RESISTOR 9.09K 1% .125W TF TC=0+-100	19701	5033R-1/8-T0-9091-F
A2R512	0757-0273	4		RESISTOR 3.01K 1% .125W TF TC=0+-100	24546	CT4-1/8-T0-3011-F
A2R513	0757-0280	3		RESISTOR 1K 1% .125W TF TC=0+-100	24546	CT4-1/8-T0-1001-F
A2R514	0698-3497	4		RESISTOR 6.04K 1% .125W TF TC=0+-100	24546	CT4-1/8-T0-604R-F
A2R515	0757-0466	7		RESISTOR 110K 1% .125W TF TC=0+-100	24546	CT4-1/8-T0-1103-F
A2R601	0698-4500	2	1	RESISTOR 57.6K 1% .125W TF TC=0+-100	24546	CT4-1/8-T0-5762-F
A2R602	0698-3228	9		RESISTOR 49.9K 1% .125W TF TC=0+-100	28480	0698-3228
A2R603	0698-3497	4		RESISTOR 6.04K 1% .125W TF TC=0+-100	24546	CT4-1/8-T0-604R-F
A2R604	0698-4431	8		RESISTOR 2.05K 1% .125W TF TC=0+-100	24546	CT4-1/8-T0-2051-F
A2R605-R606	0757-0466	7		RESISTOR 110K 1% .125W TF TC=0+-100	24546	CT4-1/8-T0-1103-F
A2R701-R702	0757-0280	3		RESISTOR 1K 1% .125W TF TC=0+-100	24546	CT4-1/8-T0-1001-F
A2R703-R705	0757-0407	6		RESISTOR 200 1% .125W TF TC=0+-100	24546	CT4-1/8-T0-201-F
A2R801	0757-0466	7		RESISTOR 110K 1% .125W TF TC=0+-100	24546	CT4-1/8-T0-1103-F
A2R802	0757-0442	9		RESISTOR 10K 1% .125W TF TC=0+-100	24546	CT4-1/8-T0-1002-F
A2R803	0698-4431	8		RESISTOR 2.05K 1% .125W TF TC=0+-100	24546	CT4-1/8-T0-2051-F
A2R804	0757-0407	6		RESISTOR 200 1% .125W TF TC=0+-100	24546	CT4-1/8-T0-201-F
A2R805	0757-0401	0		RESISTOR 100 1% .125W TF TC=0+-100	24546	CT4-1/8-T0-101-F
A2R901	0757-0401	0		RESISTOR 100 1% .125W TF TC=0+-100	24546	CT4-1/8-T0-101-F
A2R902	0698-4123	5		RESISTOR 499 1% .125W TF TC=0+-100	24546	CT4-1/8-T0-499R-F
A2R903	0698-3228	9		RESISTOR 49.9K 1% .125W TF TC=0+-100	28480	0698-3228
A2R904-R905	0757-0280	3		RESISTOR 1K 1% .125W TF TC=0+-100	24546	CT4-1/8-T0-1001-F
A2R906	0757-0407	6		RESISTOR 200 1% .125W TF TC=0+-100	24546	CT4-1/8-T0-201-F
A2R907-R908	0757-0280	3		RESISTOR 1K 1% .125W TF TC=0+-100	24546	CT4-1/8-T0-1001-F
A2R909	0757-0466	7		RESISTOR 110K 1% .125W TF TC=0+-100	24546	CT4-1/8-T0-1103-F
A2R910	0757-0277	8		RESISTOR 49.9 1% .125W TF TC=0+-100	28480	0757-0277
A2R911	0757-0407	6		RESISTOR 200 1% .125W TF TC=0+-100	24546	CT4-1/8-T0-201-F
A2R912	0757-0273	4		RESISTOR 3.01K 1% .125W TF TC=0+-100	24546	CT4-1/8-T0-3011-F
A2R913	0698-8827	4	1	RESISTOR 1M 1% .125W TF TC=0+-100	28480	0698-8827
A2R914	0757-0446	3	1	RESISTOR 15K 1% .125W TF TC=0+-100	24546	CT4-1/8-T0-1502-F
A2S1	3101-1982	8	1	SWITCH-PB DPDT ALTN .5A 100 VAC	28480	3101-1982
A2SCW1	0515-0372	2	1	SCREW-MACHINE M3 X 0.5 8MM-LG TX SQ CONE	28480	0515-0372
A2SCW2	0515-1410	1	1	SCREW-MACHINE ASSEMBLY M3 X 0.5 20MM-LG	28480	0515-1410
A2SHD1	03458-00603	3	1	SHIELD-AC CONVERTER	28480	03458-00603
A2TF101-TF106	0360-1917	4	7	TERMINAL-STUD SPCL-FDTHRU PRESS-MTG	98291	011-6812-00-0-206
A2TF901	0360-1917	4		TERMINAL-STUD SPCL-FDTHRU PRESS-MTG	98291	011-6812-00-0-206
A2TP401-TP402	1251-0600	0	6	CONNECTOR-SGL CONT PIN 1.14-MM-BSC-SZ SQ	27264	16-06-0034
A2TP404-TP405	0360-0124	3	2	CONNECTOR-SGL CONT PIN .04-IN-BSC-SZ RND	28480	0360-0124
A2TP501	1251-0600	0		CONNECTOR-SGL CONT PIN 1.14-MM-BSC-SZ SQ	27264	16-06-0034
A2TP601	1251-0600	0		CONNECTOR-SGL CONT PIN 1.14-MM-BSC-SZ SQ	27264	16-06-0034
A2TP901-TP902	1251-0600	0		CONNECTOR-SGL CONT PIN 1.14-MM-BSC-SZ SQ	27264	16-06-0034
A2U1	1826-0346	0	2	IC OP AMP GP DUAL 8-DIP-P PKG	27014	LM358N
A2U2	1820-2922	0	1	IC GATE CMOS/74HC NAND QUAD 2-INP	27014	MM74HC00N
A2U3-U9	1820-1662	3	8	IC SHF-RGTR CMOS SERIAL-IN PRL-OUT 8-BIT	04713	MC14094BCP
A2U10-U11	1826-0412	1	3	IC COMPARATOR PRCN DUAL 8-DIP-P PKG	27014	LM393N
A2U12	1826-1204	0	2	D/A 8-BIT 20-PLASTIC CMOS	24355	AD7528JN
A2U13	1820-1662	3		IC SHF-RGTR CMOS SERIAL-IN PRL-OUT 8-BIT	04713	MC14094BCP
A2U201	1826-0850	4	7	ANALOG SWITCH -PIN	17856	DG211CJ
A2U202	1858-0047	5	1	TRANSISTOR ARRAY 16-PIN PLSTC DIP	56289	ULN-2003A
A2U301	1826-1818	6	1	D/A 12-BIT 18-PLASTIC CMOS	24355	AD7240JN
A2U302	1826-1265	7	1	IC OP AMP WIDE-BAND 8-DIP-P PKG	28480	1826-1265
A2U401	1826-1533	0	3	IC OP AMP H-SLEW-RATE DUAL 8-DIP-P PKG	04713	MC34072P
A2U402	1826-0346	0		IC OP AMP GP DUAL 8-DIP-P PKG	27014	LM358N
A2U403	1826-0850	4		ANALOG SWITCH -PIN	17856	DG211CJ
A2U404	1826-1859	6	1	IC OP AMP H-SLEW-RATE 14-DIP-P PKG (EL2039CN)	28480	1826-1859
A2U405	1826-1533	0		IC OP AMP H-SLEW-RATE DUAL 8-DIP-P PKG	04713	MC34072P
A2U406	1826-1204	0		D/A 8-BIT 20-PLASTIC CMOS	24355	AD7528JN
A2U501	1826-1817	0	1	IC COMPARATOR HIGH-SPEED 8-DIP-P PKG (EL2018CN)	28480	1826-1817
A2U502-U503	1826-0850	4		ANALOG SWITCH -PIN	17856	DG211CJ

HP 3430A
A2 ASSEMBLY (03458-66502) REPLACEMENT PARTS

Reference Designation	HP Part Number	C D	Qty	Part Description	Mfr. Code	Mfr. Part Number
A2U504	1826-1808	4	1	IC HIGH-SPEED BUFFER	27014	LM6321N
A2U505	1826-0412	1		IC COMPARATOR PRCN DUAL 8-DIP-P PKG	27014	LM393N
A2U601	1826-1301	0	1	IC CONVERTER RMS/DC 14-CERDIP BPLR	24355	AD637KD (SELECTED)
A2U602	1826-0850	4		ANALOG SWITCH -PIN	17856	DG211CJ
A2U701	1826-0274	3	1	IC V RGLTR-FXD-POS 14.4/15.6V TO-92 PKG	04713	MC78L15ACP
A2U702	1826-0281	2	1	IC V RGLTR-FXD-NEG 14.3/15.7V TO-92 PKG	04713	MC79L15ACP
A2U801	1826-0850	4		ANALOG SWITCH -PIN	17856	DG211CJ
A2U802	1820-0939	5	1	IC FF CMOS D-TYPE POS-EDGE-TRIG DUAL	04713	MC14013BCP
A2U901	1826-1533	0		IC OP AMP H-SLEW-RATE DUAL 8-DIP-P PKG	04713	MC34072P
A2U902	1826-1071	1	1	IC OP AMP PRCN 8-TO-99 PKG	27014	LF411CH
A2U903	1826-0850	4		ANALOG SWITCH -PIN	17856	DG211CJ
A2W1	5061-1659	8	1	CABEL WHITE/BLACK/GRAY PVC	28480	5061-1659
				PC ASSEMBLY MOUNTING HARDWARE		
	0515-0372	2	4	SCREW-MACHINE M3 X 0.5 8MM-LG TORX T10	28480	0515-0372

Mfr. Code	Manufacturer's Name	Manufacturer's Address	Zip Code
04222	AVX CORP	GREAT NECK NY US	11021
04713	MOTOROLA INC	ROSELLE IL US	60195
14752	ELECTRO CUBE INC	SAN GABRIEL CA US	91776
17856	SILICONIX INC	SANTA CLARA CA US	95054
19701	MEPCO/CENTRALAB INC	RIVIERA FL US	33404
24355	ANALOG DEVICES INC	NORWOOD MA US	02062
24546	CORNING GLASS WORKS	CORNING NY US	14830
27014	NATIONAL SEMICONDUCTOR CORP	SANTA CLARA CA US	95052
27266	MOLEX INC	ROSELLE IL US	60532
28480	HEWLETT PACKARD COMPANY - CORPORATE	PALO ALTO CA US	94304
50088	SGS-THOMSON MICROELECTRONICS INC	PHOENIX AZ US	85022
56289	SPRAGUE ELECTRIC CO	LEXINGTON MA US	02173
75915	LITTELFUSE INC	DES PLAINES IL US	60016
76381	3M CO	ST PAUL MN US	55144
98291	ITT SEAELECTRO CORP	TRUMBULL CT US	06611

HP 3458A A3 ASSEMBLY (03458-66503) REPLACEMENT PARTS

Reference Designation	HP Part Number	C D	Qty	Part Description	Mfr. Code	Mfr. Part Number
A3	03458-66503	0	1	PRINTED CIRCUIT ASSEMBLY - A/D INGUARD LOGIC	28480	03458-66503
A3C110-C111	0160-4571	8	35	CAPACITOR-FXD .1UF +80-20% 50VDC CER	04222	SA105E104ZAAH
A3C112	0160-0128	3	3	CAPACITOR-FXD 2.2UF +-20% 50VDC CER	56289	3C3725U225M050A
A3C116-C117	0160-4571	8		CAPACITOR-FXD .1UF +80-20% 50VDC CER	04222	SA105E104ZAAH
A3C118	0160-4801	7	7	CAPACITOR-FXD 100PF +-5% 100VDC CER	04222	SA102A101JAAH
A3C119	0160-4810	8	4	CAPACITOR-FXD 330PF +-5% 100VDC CER	04222	SA101A331JAAH
A3C120-C121	0160-0128	3		CAPACITOR-FXD 2.2UF +-20% 50VDC CER	56289	3C3725U225M050A
A3C122	0160-4801	7		CAPACITOR-FXD 100PF +-5% 100VDC CER	04222	SA102A101JAAH
A3C128	0160-5349	0	1	CAPACITOR-FXD 200PF +-5% 100VDC CER	04222	SA101A201JAAH
A3C129	0160-4808	4	1	CAPACITOR-FXD 470PF +-5% 100VDC CER	04222	SA101A471JAAH
A3C130-C131	0160-4571	8		CAPACITOR-FXD .1UF +80-20% 50VDC CER	04222	SA105E104ZAAH
A3C142-C145	0160-4571	8		CAPACITOR-FXD .1UF +80-20% 50VDC CER	04222	SA105E104ZAAH
A3C146-C147	0180-1746	5	2	CAPACITOR-FXD 15UF+-10% 20VDC TA	56289	150D156X9020B2-DYS
A3C150	0160-4822	2	5	CAPACITOR-FXD 1000PF +-5% 100VDC CER	04222	SA201A102JAAH
A3C151-C152	0160-4832	4	6	CAPACITOR-FXD .01UF +-10% 100VDC CER	04222	SA101C103KAAH
A3C155-C156	0160-4822	2		CAPACITOR-FXD 1000PF +-5% 100VDC CER	04222	SA201A102JAAH
A3C157-C158	0160-4571	8		CAPACITOR-FXD .1UF +80-20% 50VDC CER	04222	SA105E104ZAAH
A3C160	0160-4832	4		CAPACITOR-FXD .01UF +-10% 100VDC CER	04222	SA101C103KAAH
A3C161-C162	0160-4571	8		CAPACITOR-FXD .1UF +80-20% 50VDC CER	04222	SA105E104ZAAH
A3C165	0160-4832	4		CAPACITOR-FXD .01UF +-10% 100VDC CER	04222	SA101C103KAAH
A3C166-C167	0160-4571	8		CAPACITOR-FXD .1UF +80-20% 50VDC CER	04222	SA105E104ZAAH
A3C168	0160-4822	2		CAPACITOR-FXD 1000PF +-5% 100VDC CER	04222	SA201A102JAAH
A3C174-C175	0160-4571	8		CAPACITOR-FXD .1UF +80-20% 50VDC CER	04222	SA105E104ZAAH
A3C180	0160-0576	5	1	CAPACITOR-FXD .1UF +-20% 50VDC CER	04222	SR205C104MAAH
A3C181	0180-0229	7	3	CAPACITOR-FXD 33UF+-10% 10VDC TA	56289	150D336X9010B2-DYS
A3C192	0160-4571	8		CAPACITOR-FXD .1UF +80-20% 50VDC CER	04222	SA105E104ZAAH
A3C200	0160-4571	8		CAPACITOR-FXD .1UF +80-20% 50VDC CER	04222	SA105E104ZAAH
A3C210-C211	0160-4571	8		CAPACITOR-FXD .1UF +80-20% 50VDC CER	04222	SA105E104ZAAH
A3C240	0160-4801	7		CAPACITOR-FXD 100PF +-5% 100VDC CER	04222	SA102A101JAAH
A3C245	0160-4801	7		CAPACITOR-FXD 100PF +-5% 100VDC CER	04222	SA102A101JAAH
A3C250-C251	0180-0309	4	2	CAPACITOR-FXD 4.7UF+-20% 10VDC TA	56289	150D475X0010A2-DYS
A3C252-C253	0180-0100	3	2	CAPACITOR-FXD 4.7UF+-10% 35VDC TA	56289	150D475X9035B2-DYS
A3C262-C263	0160-4810	8		CAPACITOR-FXD 330PF +-5% 100VDC CER	04222	SA101A331JAAH
A3C272	0160-4810	8		CAPACITOR-FXD 330PF +-5% 100VDC CER	04222	SA101A331JAAH
A3C273	0160-4801	7		CAPACITOR-FXD 100PF +-5% 100VDC CER	04222	SA102A101JAAH
A3C280	0160-4832	4		CAPACITOR-FXD .01UF +-10% 100VDC CER	04222	SA101C103KAAH
A3C284	0160-4832	4		CAPACITOR-FXD .01UF +-10% 100VDC CER	04222	SA101C103KAAH
A3C301	0160-4571	8		CAPACITOR-FXD .1UF +80-20% 50VDC CER	04222	SA105E104ZAAH
A3C302	0160-4787	8	2	CAPACITOR-FXD 22PF +-5% 100VDC CER 0+-30	04222	SA102A220JAAH
A3C303	0180-0229	7		CAPACITOR-FXD 33UF+-10% 10VDC TA	56289	150D336X9010B2-DYS
A3C351	0160-4571	8		CAPACITOR-FXD .1UF +80-20% 50VDC CER	04222	SA105E104ZAAH
A3C353	0180-0229	7		CAPACITOR-FXD 33UF+-10% 10VDC TA	56289	150D336X9010B2-DYS
A3C400-C402	0160-4571	8		CAPACITOR-FXD .1UF +80-20% 50VDC CER	04222	SA105E104ZAAH
A3C403	0160-4787	8		CAPACITOR-FXD 22PF +-5% 100VDC CER 0+-30	04222	SA102A220JAAH
A3C404	0160-4801	7		CAPACITOR-FXD 100PF +-5% 100VDC CER	04222	SA102A101JAAH
A3C405-C407	0160-4571	8		CAPACITOR-FXD .1UF +80-20% 50VDC CER	04222	SA105E104ZAAH
A3C408	0160-4822	2		CAPACITOR-FXD 1000PF +-5% 100VDC CER	04222	SA201A102JAAH
A3C409	0160-5871	4	1	CAPACITOR-FXD 510PF +-1% 100VDC CER	04222	SA201A511FAAH
A3C410-C413	0160-4571	8		CAPACITOR-FXD .1UF +80-20% 50VDC CER	04222	SA105E104ZAAH
A3C414	0160-4801	7		CAPACITOR-FXD 100PF +-5% 100VDC CER	04222	SA102A101JAAH
A3C415	0160-4571	8		CAPACITOR-FXD .1UF +80-20% 50VDC CER	04222	SA105E104ZAAH
A3CR110-CR111	1902-0945	7	12	DIODE-ZENER 3V 5% DO-35 PD=.4W TC=-.043%	28480	1902-0945
A3CR116-CR117	1902-0945	7		DIODE-ZENER 3V 5% DO-35 PD=.4W TC=-.043%	28480	1902-0945
A3CR120-CR121	1902-0945	7		DIODE-ZENER 3V 5% DO-35 PD=.4W TC=-.043%	28480	1902-0945
A3CR140-CR141	1901-0047	8	2	DIODE-SWITCHING 20V 75MA 10NS DO-35	28480	1901-0047
A3CR142-CR143	1902-0945	7		DIODE-ZENER 3V 5% DO-35 PD=.4W TC=-.043%	28480	1902-0945
A3CR155-CR156	1901-1098	1	6	DIODE-SWITCHING 1N4150 50V 200MA 4NS	25403	1N4150
A3CR174-CR175	1902-0945	7		DIODE-ZENER 3V 5% DO-35 PD=.4W TC=-.043%	28480	1902-0945
A3CR240	1900-0233	9	3	DIODE-SCHOTTKY SM SIG 1N5711	50088	1N5711
A3CR241	1901-1098	1		DIODE-SWITCHING 1N4150 50V 200MA 4NS	25403	1N4150
A3CR245	1900-0233	9		DIODE-SCHOTTKY SM SIG 1N5711	50088	1N5711
A3CR301	1900-0233	9		DIODE-SCHOTTKY SM SIG 1N5711	50088	1N5711

A3 ASSEMBLY (03458-66503) REPLACEMENT PARTS

Reference Designation	HP Part Number	C D	Qty	Part Description	Mfr. Code	Mfr. Part Number
A3CR302	1901-1098	1		DIODE-SWITCHING 1N4150 50V 200MA 4NS	25403	1N4150
A3CR352	1901-1098	1		DIODE-SWITCHING 1N4150 50V 200MA 4NS	25403	1N4150
A3CR401	1901-1068	5	1	DIODE-SCHOTTKY SM SIG	28480	1901-1068
A3CR402	1901-1164	6	1	DIODE-SWITCHING 80V 200MA 2NS DO-35	25403	BAV10 SELECTED
A3CR403	1901-1098	1		DIODE-SWITCHING 1N4150 50V 200MA 4NS	25403	1N4150
A3CR405-CR406	1902-0945	7		DIODE-ZENER 3V 5% DO-35 PD=.4W TC=-.043%	28480	1902-0945
A3J1	1251-3961	2	1	CONNECTOR-POST TYPE .156-PIN-SPCG 6-CONT	27264	09-48-3064
A3JM160-JM161	7175-0057	5	6	RESISTOR-ZERO OHMS SOLID TINNED COPPER	19701	5020CXOR000SB2AAZ
A3JM183-JM184	7175-0057	5		RESISTOR-ZERO OHMS SOLID TINNED COPPER	19701	5020CXOR000SB2AAZ
A3JM210-JM211	7175-0057	5		RESISTOR-ZERO OHMS SOLID TINNED COPPER	19701	5020CXOR000SB2AAZ
A3L123-L124	9170-1368	5	9	CORE-MAGNETIC INIT PERMEABILITY: 1000	02114	11426-4A6
A3L127	9170-1368	5		CORE-MAGNETIC INIT PERMEABILITY: 1000	02114	11426-4A6
A3L220-L221	9170-1368	5		CORE-MAGNETIC INIT PERMEABILITY: 1000	02114	11426-4A6
A3L222-L223	9100-1623	8	2	INDUCTOR RF-CH-MLD 27UH +-5%	99800	1537-48
A3L230-L233	9170-1368	5		CORE-MAGNETIC INIT PERMEABILITY: 1000	02114	11426-4A6
A3L250	9100-0539	3	2	INDUCTOR RF-CH-MLD 10UH +-5%	24226	15M102J
A3L303	9100-0539	3		INDUCTOR RF-CH-MLD 10UH +-5%	24226	15M102J
A3LBL1	7120-6830	9	1	LABEL-INFO WRNTY DATE CODE .25-IN-WD .625-IN-LG	28480	7120-6830
A3LBL2	9320-5333	1	1	LABEL-LINE-PRINTER; .625-IN-WD X .25-IN-LG	28480	9320-5333
A3P1-P2	1251-8106	1	2	CONNECTOR-POST TYPE .100-PIN-SPCG 20-CONT	76381	3592-6002
A3Q110	1855-0386	9	1	TRANSISTOR J-FET N-CHAN D-MODE TO-18 SI	04713	2N4392
A3Q151	1854-1028	6	1	TRANSISTOR NPN SI PD=350MW FT=300MHZ	04713	2N3904
A3Q401-Q402	1853-0203	5	2	TRANSISTOR PNP SI PD=360MW FT=700MHZ	28480	1853-0203
A3Q403	1855-0793	5	1	TRANSISTOR J-FET N-CHAN D-MODE TO-92	17856	J2472 TR-6
A3R112	0757-0200	7	2	RESISTOR 5.62K 1% .125W TF TC=0+-100	24546	CT4-1/8-T0-5621-F
A3R114	0757-0401	0	4	RESISTOR 100 1% .125W TF TC=0+-100	24546	CT4-1/8-T0-101-F
A3R115	0757-0415	6	1	RESISTOR 475 1% .125W TF TC=0+-100	24546	CT4-1/8-T0-475R-F
A3R118	0757-0427	0	3	RESISTOR 1.5K 1% .125W TF TC=0+-100	24546	CT4-1/8-T0-1501-F
A3R122	0757-0408	7	1	RESISTOR 243 1% .125W TF TC=0+-100	24546	CT4-1/8-T0-243R-F
A3R129	0698-4387	3	1	RESISTOR 60.4 1% .125W TF TC=0+-100	24546	CT4-1/8-T0-60R4-F
A3R140	0757-0280	3	19	RESISTOR 1K 1% .125W TF TC=0+-100	24546	CT4-1/8-T0-1001-F
A3R141	0757-0444	1	1	RESISTOR 12.1K 1% .125W TF TC=0+-100	24546	CT4-1/8-T0-1212-F
A3R142	0757-0346	2	4	RESISTOR 10 1% .125W TF TC=0+-100	28480	0757-0346
A3R143	0757-0280	3		RESISTOR 1K 1% .125W TF TC=0+-100	24546	CT4-1/8-T0-1001-F
A3R148	0757-0442	9	10	RESISTOR 10K 1% .125W TF TC=0+-100	24546	CT4-1/8-T0-1002-F
A3R150	0698-7565	6	2	RESISTOR 16.7K .5% .125W TF TC=0+-50	19701	5033R-1/8-T2-1672-D
A3R151	0698-5810	0	1	RESISTOR 37.5K 1% .125W TF TC=0+-100	24546	CT4-1/8-T0-3752-F
A3R152	0698-7565	6		RESISTOR 16.7K .5% .125W TF TC=0+-50	19701	5033R-1/8-T2-1672-D
A3R153	0757-0458	7	5	RESISTOR 51.1K 1% .125W TF TC=0+-100	24546	CT4-1/8-T0-5112-F
A3R154	0698-8344	0	1	RESISTOR 604K 1% .125W TF TC=0+-100	28480	0698-8344
A3R155	0757-0442	9		RESISTOR 10K 1% .125W TF TC=0+-100	24546	CT4-1/8-T0-1002-F
A3R156	0757-0283	6	5	RESISTOR 2K 1% .125W TF TC=0+-100	24546	CT4-1/8-T0-2001-F
A3R157	0757-0407	6	1	RESISTOR 200 1% .125W TF TC=0+-100	24546	CT4-1/8-T0-201-F
A3R158	0757-0280	3		RESISTOR 1K 1% .125W TF TC=0+-100	24546	CT4-1/8-T0-1001-F
A3R159	0757-0393	9	1	RESISTOR 47.5 1% .125W TF TC=0+-100	28480	0757-0393
A3R161	0757-0410	1	2	RESISTOR 301 1% .125W TF TC=0+-100	24546	CT4-1/8-T0-301R-F
A3R162	0757-0283	6		RESISTOR 2K 1% .125W TF TC=0+-100	24546	CT4-1/8-T0-2001-F
A3R166	0757-0283	6		RESISTOR 2K 1% .125W TF TC=0+-100	24546	CT4-1/8-T0-2001-F
A3R167	0757-0410	1		RESISTOR 301 1% .125W TF TC=0+-100	24546	CT4-1/8-T0-301R-F
A3R168	0698-4476	1	1	RESISTOR 10.2K 1% .125W TF TC=0+-100	24546	CT4-1/8-T0-1022-F
A3R171	0757-0458	7		RESISTOR 51.1K 1% .125W TF TC=0+-100	24546	CT4-1/8-T0-5112-F
A3R172	0698-3152	8	1	RESISTOR 3.48K 1% .125W TF TC=0+-100	24546	CT4-1/8-T0-3481-F
A3R173	0757-0283	6		RESISTOR 2K 1% .125W TF TC=0+-100	24546	CT4-1/8-T0-2001-F
A3R176	0757-0451	0	1	RESISTOR 24.3K 1% .125W TF TC=0+-100	24546	CT4-1/8-T0-2432-F
A3R177	0757-0442	9		RESISTOR 10K 1% .125W TF TC=0+-100	24546	CT4-1/8-T0-1002-F
A3R180	0757-0442	9		RESISTOR 10K 1% .125W TF TC=0+-100	24546	CT4-1/8-T0-1002-F
A3R181	0699-0642	7	1	RESISTOR 10K .1% .1W TF TC=0+-5	19701	5023ZA10K00B

HP 3458A A3 ASSEMBLY (03458-66503) REPLACEMENT PARTS

Reference Designation	HP Part Number	C	D	Qty	Part Description	Mfr. Code	Mfr. Part Number
A3R184	0757-0791	1		1	RESISTOR 619K 1% .25W TF TC=0+-100	24546	NA5-1/4-T0-6193-F
A3R185	0699-2717	7		1	RESISTOR 3.01MEG 1% .25W TF TC=+-100	28480	0699-2717
A3R190-R191	0757-0346	2		2	RESISTOR 10 1% .125W TF TC=0+-100	28480	0757-0346
A3R193	0757-0283	6		1	RESISTOR 2K 1% .125W TF TC=0+-100	24546	CT4-1/8-T0-2001-F
A3R200	0757-0442	9			RESISTOR 10K 1% .125W TF TC=0+-100	24546	CT4-1/8-T0-1002-F
A3R201	0757-0458	7			RESISTOR 51.1K 1% .125W TF TC=0+-100	24546	CT4-1/8-T0-5112-F
A3R211-R212	0757-0280	3			RESISTOR 1K 1% .125W TF TC=0+-100	24546	CT4-1/8-T0-1001-F
A3R223	0757-0280	3			RESISTOR 1K 1% .125W TF TC=0+-100	24546	CT4-1/8-T0-1001-F
A3R240	0757-0458	7			RESISTOR 51.1K 1% .125W TF TC=0+-100	24546	CT4-1/8-T0-5112-F
A3R241	0757-0442	9			RESISTOR 10K 1% .125W TF TC=0+-100	24546	CT4-1/8-T0-1002-F
A3R242	0757-0284	7		3	RESISTOR 150 1% .125W TF TC=0+-100	24546	CT4-1/8-T0-151-F
A3R245	0757-0458	7			RESISTOR 51.1K 1% .125W TF TC=0+-100	24546	CT4-1/8-T0-5112-F
A3R246	0757-0442	9			RESISTOR 10K 1% .125W TF TC=0+-100	24546	CT4-1/8-T0-1002-F
A3R260-R264	0757-0280	3			RESISTOR 1K 1% .125W TF TC=0+-100	24546	CT4-1/8-T0-1001-F
A3R270-R273	0757-0280	3			RESISTOR 1K 1% .125W TF TC=0+-100	24546	CT4-1/8-T0-1001-F
A3R280-R283	0757-0280	3			RESISTOR 1K 1% .125W TF TC=0+-100	24546	CT4-1/8-T0-1001-F
A3R284-R286	0757-0442	9			RESISTOR 10K 1% .125W TF TC=0+-100	24546	CT4-1/8-T0-1002-F
A3R301	0757-0427	0			RESISTOR 1.5K 1% .125W TF TC=0+-100	24546	CT4-1/8-T0-1501-F
A3R302	0698-4123	5		1	RESISTOR 499 1% .125W TF TC=0+-100	24546	CT4-1/8-T0-499R-F
A3R303	0757-0420	3		1	RESISTOR 750 1% .125W TF TC=0+-100	24546	CT4-1/8-T0-751-F
A3R304	0757-0284	7			RESISTOR 150 1% .125W TF TC=0+-100	24546	CT4-1/8-T0-151-F
A3R351	0757-0427	0			RESISTOR 1.5K 1% .125W TF TC=0+-100	24546	CT4-1/8-T0-1501-F
A3R354	0757-0284	7			RESISTOR 150 1% .125W TF TC=0+-100	24546	CT4-1/8-T0-151-F
A3R401	0698-4542	2		2	RESISTOR 453K 1% .125W TF TC=0+-100	28480	0698-4542
A3R402	0698-4529	5		2	RESISTOR 226K 1% .125W TF TC=0+-100	24546	CT4-1/8-T0-2263-F
A3R403	0698-4516	0		2	RESISTOR 113K 1% .125W TF TC=0+-100	24546	CT4-1/8-T0-1133-F
A3R404	0757-0459	8		2	RESISTOR 56.2K 1% .125W TF TC=0+-100	24546	CT4-1/8-T0-5622-F
A3R405	0698-4483	0		1	RESISTOR 18.7K 1% .125W TF TC=0+-100	24546	CT4-1/8-T0-1872-F
A3R406	0698-4479	4		1	RESISTOR 14K 1% .125W TF TC=0+-100	24546	CT4-1/8-T0-1402-F
A3R407	0757-0401	0			RESISTOR 100 1% .125W TF TC=0+-100	24546	CT4-1/8-T0-101-F
A3R408	0757-0488	3		1	RESISTOR 909K 1% .125W TF TC=0+-100	28480	0757-0488
A3R409	0698-4542	2			RESISTOR 453K 1% .125W TF TC=0+-100	28480	0698-4542
A3R410	0698-4529	5			RESISTOR 226K 1% .125W TF TC=0+-100	24546	CT4-1/8-T0-2263-F
A3R411	0698-4516	0			RESISTOR 113K 1% .125W TF TC=0+-100	24546	CT4-1/8-T0-1133-F
A3R412	0757-0459	8			RESISTOR 56.2K 1% .125W TF TC=0+-100	24546	CT4-1/8-T0-5622-F
A3R413	0757-0200	7			RESISTOR 5.62K 1% .125W TF TC=0+-100	24546	CT4-1/8-T0-5621-F
A3R415	0757-0401	0			RESISTOR 100 1% .125W TF TC=0+-100	24546	CT4-1/8-T0-101-F
A3R416	0698-4460	3		1	RESISTOR 649 1% .125W TF TC=0+-100	24546	CT4-1/8-T0-649R-F
A3R417	0757-0401	0			RESISTOR 100 1% .125W TF TC=0+-100	24546	CT4-1/8-T0-101-F
A3R418	0757-0346	2			RESISTOR 10 1% .125W TF TC=0+-100	28480	0757-0346
A3RP220	1810-0279	5		1	NETWORK-RESISTOR 10-SIP 4.7K OHM X 9	56289	256CK472X2PD
A3TP112	1251-0600	0		14	CONNECTOR-SGL CONT PIN 1.14-MM-BSC-SZ SQ	27264	16-06-0034
A3TP140	1251-0600	0			CONNECTOR-SGL CONT PIN 1.14-MM-BSC-SZ SQ	27264	16-06-0034
A3TP142	1251-0600	0			CONNECTOR-SGL CONT PIN 1.14-MM-BSC-SZ SQ	27264	16-06-0034
A3TP151	1251-0600	0			CONNECTOR-SGL CONT PIN 1.14-MM-BSC-SZ SQ	27264	16-06-0034
A3TP160	1251-0600	0			CONNECTOR-SGL CONT PIN 1.14-MM-BSC-SZ SQ	27264	16-06-0034
A3TP165	1251-0600	0			CONNECTOR-SGL CONT PIN 1.14-MM-BSC-SZ SQ	27264	16-06-0034
A3TP210	1251-0600	0			CONNECTOR-SGL CONT PIN 1.14-MM-BSC-SZ SQ	27264	16-06-0034
A3TP220	1251-0600	0			CONNECTOR-SGL CONT PIN 1.14-MM-BSC-SZ SQ	27264	16-06-0034
A3TP401-TP406	1251-0600	0			CONNECTOR-SGL CONT PIN 1.14-MM-BSC-SZ SQ	27264	16-06-0034
A3U110	1826-1382	7		4	IC OP AMP PRCN 8-DIP-P PKG	28480	1826-1382
A3U111	1826-1800	0		2	IC OP AMP HS 8-DIP-P PKG 50 MHZ 300V/US	27014	LM6361N
A3U112	1826-1970	8		1	IC OP AMP HS 8-DIP-P PKG	24355	AD848JN
A3U131	1820-2694	3		1	IC FF TTL F J-K NEG-EDGE-TRIG	18324	74F112N
A3U140	1826-1800	0			IC OP AMP HS 8-DIP-P PKG 50 MHZ 300V/US	27014	LM6361N
A3U142	1826-1817	0		2	IC COMPARATOR HS 8-DIP-P PKG (EL2018CN)	28480	1826-1817
A3U150	1820-4242	4		1	IC SCHMITT-TRIG CMOS/74HC INV HEX	18324	74HCT14N
A3U151	1826-1382	7			IC OP AMP PRCN 8-DIP-P PKG	28480	1826-1382
A3U160	1826-1382	7			IC OP AMP PRCN 8-DIP-P PKG	28480	1826-1382
A3U165	1826-1382	7			IC OP AMP PRCN 8-DIP-P PKG	28480	1826-1382
A3U170	1826-0346	0		1	IC OP AMP GP DUAL 8-DIP-P PKG	27014	LM358N

A3 ASSEMBLY (03458-66503) REPLACEMENT PARTS

Reference Designation	HP Part Number	C D	Qty	Part Description	Mfr. Code	Mfr. Part Number
A3U180	1SJ8-0108	9	1	IC-A/D HYBRID	28480	1SJ8-0108
A3U181	1826-1817	0	1	IC COMPARATOR HS 8-DIP-P PKG (EL2018CN)	28480	1826-1817
A3U210	1820-5770	7	1	IC GATE-ARRAY CMOS 2-IN NAND	28480	1820-5770
A3U211-U212	1820-3081	4	2	IC FF CMOS/74HC D-TYPE POS-EDGE-TRIG	27014	MM74HC74AN
A3U213	1820-2924	1	1	IC GATE CMOS/74HC NOR QUAD 2-INP	27014	MM74HC02N
A3U220	03458-85501	8	1	IC-ROM PROGRAMED (INTELL)80C51	28480	03458-85501
A3U230	1813-0663	7	1	CLOCK-OSCILLATOR-XTAL 20.0000-MHZ 0.005%	28480	1813-0663
A3U301	1005-0097	8	2	RECEIVER-FIBER OPTIC DATA RATE	28480	HFBR-2501
A3U302-U303	1005-0096	7	2	IC SCHMITT TRIG CMOS/74HC INV HEX	18324	74HCT14N
A3U304	1005-0096	7	2	TRANSMITTER-FIBER OPTIC DATA RATE	28480	HFBR-1510
A3U351	1005-0097	8		RECEIVER-FIBER OPTIC DATA RATE	28480	HFBR-2501
A3U353	1820-4242	1		IC SCHMITT-TRIG CMOS/74HC INV HEX	18324	74HCT14N
A3U354	1005-0096	7		TRANSMITTER-FIBER OPTIC DATA RATE	28480	HFBR-1510
A3U400	1820-3791	3	1	IC BUFFER CMOS/74HC INV HEX	27014	MM74HC368N
A3U401	1820-4443	4	1	IC SHF-RGTR CMOS/74HC SYNCHRO SERIAL-IN	18324	74HC4094N
A3U402	1826-0635	0	1	IC OP AMP LOW-OFS 8-DIP-P PKG	06665	OP-07CP
A3U403	1826-1346	2	1	ANALOG SWITCH 4 SPST 16 -DIP-P	24355	ADG201HSKN
A3U404	1826-1791	1	1	IC OP AMP HS 8-TO-99 PKG	27014	LF400CH
A3U405	1826-1817	2	1	IC COMPARATOR 8-DIP-P PKG (EL2018CN)	28480	1826-1817
PC ASSEMBLY MOUNTING HARDWARE						
	0515-0372	2	2	SCREW-MACHINE M3 X 0.5 8MM-LG TORX T10	28480	0515-0372
	0515-1410	1	3	SCREW-MACHINE M3 X 0.5 20MM-LG TORX T10	28480	0515-1410

Code List of Manufacturers

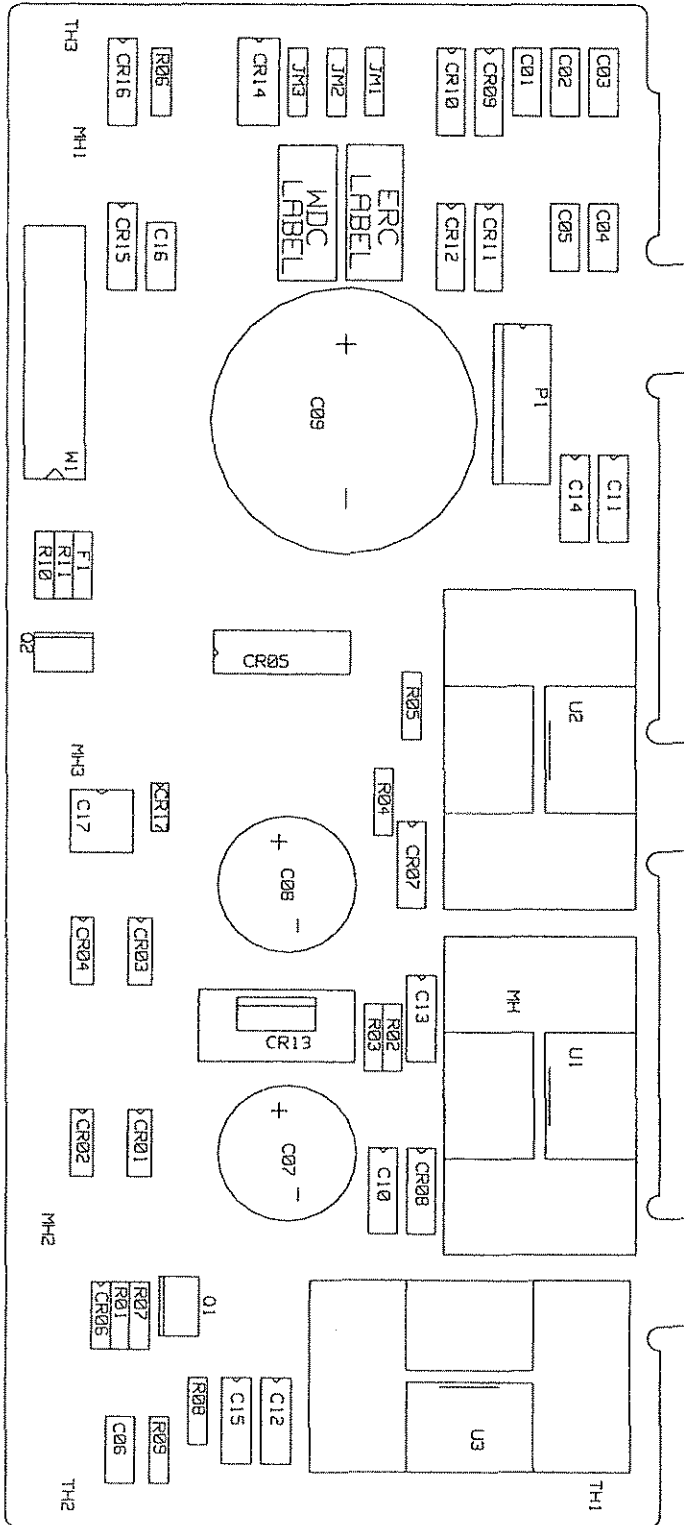
Mfr. Code	Manufacturer's Name	Manufacturer's Address	Zip Code
02114	FERROXCUBE CORP	SAUGERTIES NY US	12477
04222	AVX CORP	GREAT NECK NY US	11021
04713	MOTOROLA INC	ROSELLE IL US	60195
06665	PRECISION MONOLITHICS INC	SANTA CLARA CA US	95054
17856	SILICONIX INC	SANTA CLARA CA US	95054
18324	SIGNETICS CORP	SUNNYVALE CA US	94086
19701	MEPCO/CENTRALAB INC	RIVIERA FL US	33404
24226	GOWANDA ELECTRONICS CORP	GOWANDA NY US	14070
24355	ANALOG DEVICES INC	NORWOOD MA US	02062
24546	CORNING GLASS WORKS	CORNING NY US	14830
25403	NV PHILIPS ELCOMA	EINDHOVEN NE	02876
27014	NATIONAL SEMICONDUCTOR CORP	SANTA CLARA CA US	95052
27264	MOLEX INC	LISLE IL US	60532
28480	HEWLETT PACKARD COMPANY - CORPORATE	PALO ALTO CA US	94304
50088	SGS-THOMSON MICROELECTRONICS INC	PHOENIX AZ US	85022
56289	SPRAGUE ELECTRIC CO	LEXINGTON MA US	02173
76381	3M CO	ST PAUL MN US	55144
99800	AMER PRCN IND INC DELEVAN DIV	AURORA NY US	14052

HP 3458A

A4 ASSEMBLY (03458-66504) REPLACEMENT PARTS

Reference Designation	HP Part Number	C D	Qty	Part Description	Mfr. Code	Mfr. Part Number
A4	03458-66504	1	1	PC ASSEMBLY-INGUARD POWER SUPPLY	28480	03458-66504
A4C1-C6	0160-4835	7	7	CAPACITOR-FXD .1UF +-10% 50VDC CER	04222	SA115C104KAAH
A4C7-C8	0180-4033	9	2	CAPACITOR-FXD 2200UF 35V AL-ELECT	28480	0180-4033
A4C9-C15	0180-4034	0	7	CAPACITOR-FXD 15KUF 16V AL-ELECT	28480	0180-4034
A4C16	0160-4835	7	7	CAPACITOR-FXD .1UF +-10% 50VDC CER	04222	SA115C104KAAH
A4C17	0180-3913	2	1	CAPACITOR-FXD 22UF+50-10% 50VDC AL	56289	513D226F063BB3D
A4CR1-CR4	1901-0743	1	6	DIODE-PWR RECT 1N4004 400V 1A DO-41	28480	1901-0743
A4CR5	1906-0096	7	1	DIODE-FW BRDG 200V 2A	28480	1906-0096
A4CR6	1902-0954	8	1	DIODE-ZNR 6.8V 5% DO-35 PD=.4W TC=+.057%	28480	1902-0954
A4CR7-CR8	1902-1288	3	2	DIODE-ZNR 1N5358B 22V 5% PD=5W TC=+75%	04713	1N5358B
A4CR9-CR12	1902-1345	3	4	DIODE-ZNR 1N5365B 36V 5% PD=5W IR=500NA	04713	1N5365B
A4CR13	1902-1505	7	1	DIODE-V-SUPPR 6.5V TO-220AC	04713	MZT4554B
A4CR14	1901-0782	8	1	DIODE-SCHOTTKY 1N5821 30V 3A	04713	1N5821
A4CR15-CR16	1901-0743	1	1	DIODE-PWR RECT 1N4004 400V 1A DO-41	28480	1901-0743
A4CR17	1902-0966	2	1	DIODE-ZNR 22V 5% DO-35 PD=.4W TC=+.093%	28480	1902-0966
A4F1	2110-0757	1	1	FUSE-SUBMINIATURE .063A 125V AX UL CSA	75915	R251.062T1
A4HS1-HS3	1205-0652	1	3	HEAT SINK PLSTC-PWR-CS	28480	1205-0652
A4HS4	1205-0355	5	1	HEAT SINK SGL TO-220-CS	13103	6043PB
A4JM1-JM3	7175-0057	5	3	RESISTOR-ZERO OHMS SOLID TINNED COPPER	19701	5020CX0R000SB2AAZ
A4LBL1	7120-6830	9	1	LABEL-INFO WRNTY DATE CODE .25-IN-WD .625-IN-LG	28480	7120-6830
A4LBL2	9320-5333	1	1	LABEL-LINE-PRINTER; .625-IN-WD X .25-IN-LG	28480	9320-5333
A4P1	1252-2492	5	1	CONNECTOR POST-TYPE .156-PIN-SPACING 5-CONTACT	00779	641119-5
A4Q1	1854-1039	9	1	TRANSISTOR NPN SI TO-92 PD=310MW	04713	2N4401
A4Q2	1853-0565	2	1	TRANSISTOR PNP SI TO-92 PD=310MW	04713	2N4403
A4R1-R2	0757-0408	7	3	RESISTOR 243 1% .125W TF TC=0+-100	24546	CT4-1/8-T0-243R-F
A4R3	0757-0433	8	6	RESISTOR 3.32K 1% .125W TF TC=0+-100	24546	CT4-1/8-T0-3321-F
A4R4	0757-0408	7	7	RESISTOR 243 1% .125W TF TC=0+-100	24546	CT4-1/8-T0-243R-F
A4R5	0757-0433	8	8	RESISTOR 3.32K 1% .125W TF TC=0+-100	24546	CT4-1/8-T0-3321-F
A4R6	0757-0481	6	1	RESISTOR 475K 1% .125W TF TC=0+-100	19701	5033R-1/8-T0-4753-F
A4R7-R10	0757-0433	8	8	RESISTOR 3.32K 1% .125W TF TC=0+-100	24546	CT4-1/8-T0-3321-F
A4R11	0757-0393	9	1	RESISTOR 47.5 1% .125W TF TC=0+-100	28480	0757-0393
A4SCW1-SCW3	0515-0886	3	3	SCREW-MACH M3 X 0.5 6MM-LG PAN-HD	28480	0515-0886
A4U1	1826-0393	7	1	IC V RGLTR-ADJ-POS 1.2/37V TO-220 PKG	27014	LM317T
A4U2	1826-0527	9	1	IC V RGLTR-ADJ-NEG 1.2/37V TO-220 PKG	27014	LM337T
A4U3	1826-0122	0	1	IC V RGLTR-FXD-POS 4.8/5.2V TO-220 PKG	27014	LM340T-5
A4W1	03458-61604	2	1	CABEL ASSEMBLY-INGUARD POWER SUPPLY	28480	03458-61604
				PC ASSEMBLY MOUNTING HARDWARE		
	0515-0372	2	3	SCREW-MACHINE M3 X 0.5 8MM-LG TORX T10	28480	0515-0372

Mfr. Code	Manufacturer's Name	Manufacturer's Address	Zip Code
00779 04222 04713 13103 19701	AMP INC AVX CORP MOTOROLA INC THERMALLOY INC MEPCO/CENTRALAB INC	HARRISBURG PA US GREAT NECK NY US ROSELLE IL US DALLAS TX US RIVIERA FL US	17111 11021 60195 75234 33404
24546 27014 28480 56209 75915	CORNING GLASS WORKS NATIONAL SEMICONDUCTOR CORP HEWLETT PACKARD COMPANY - CORPORATE SPRAGUE ELECTRIC CO. LITTELFUSE INC	CORNING NY US SANTA CLARA CA US PALO ALTO CA US LEXINGTON MA US DES PLAINES IL US	14830 95052 94304 02173 60016



A5 ASSEMBLY (03458-66505) REPLACEMENT PARTS

Reference Designation	HP Part Number	C	D	Qty	Part Description	Mfr. Code	Mfr. Part Number
A5	03458-66505	2		1	PC ASSEMBLY-OUTGUARD LOGIC	28480	03458-66505
A5C100-C119	0160-4832	4		30	CAPACITOR-FXD .01UF +-10% 100VDC CER	04222	SA101C103KAAH
A5C122-C130	0160-4832	4			CAPACITOR-FXD .01UF +-10% 100VDC CER	04222	SA101C103KAAH
A5C150-C155	0180-0291	3		6	CAPACITOR-FXD 1UF+-10% 35VDC TA	56289	150D105X9035A2-DYS
A5C700	0160-4844	8		1	CAPACITOR-FXD 1UF +80-20% 50VDC CER	04222	SA305E1052AA
A5C701	0160-4791	4		1	CAPACITOR-FXD 10PF +-5% 100VDC CER 0+-30	04222	SA102A100JAAH
A5C801	0160-4832	4			CAPACITOR-FXD .01UF +-10% 100VDC CER	04222	SA101C103KAAH
A5J100	1251-8106	1		1	CONNECTOR-POST TYPE .100-PIN-SPCG 20-CONT	76381	3592-6002
A5J900	5180-8228	6		1	CONNECTOR, HP-1B	28480	5180-8228
	5180-6650	5		2	STANDOFF-HEX, HP1B CONNECTOR MOUNTING	28480	5180-6650
	2190-0577	1		2	WASHER-LOCK HLCL NO. 10 .194-IN-ID	28480	2190-0577
A5JM132	1251-4682	6		2	CONNECTOR-POST TYPE .100-PIN-SPCG 3-CONT	27264	22-10-2031
A5JM600	1251-4682	6			CONNECTOR-POST TYPE .100-PIN-SPCG 3-CONT	27264	22-10-2031
A5L801	9170-1368	5		1	CORE-MAGNETIC INIT PERMEABILITY: 1000	02114	11426-4A6
A5LBL1	7120-6830	9		1	LABEL-INFO WRNTY DATE CODE .25-IN-WD .625-IN-LG	28480	7120-6830
A5LBL2	9320-5333	1		1	LABEL-LINE-PRINTER; .625-IN-WD X .25-IN-LG	28480	9320-5333
A5P132	1258-0141	8		2	JUMPER-REMOVABLE FOR 0.025 IN SQ PINS	18873	65474-004
A5P600	1258-0141	8			JUMPER-REMOVABLE FOR 0.025 IN SQ PINS	18873	65474-004
A5R100	0757-0401	0		5	RESISTOR 100 1% .125W TF TC=0+-100	24546	CT4-1/8-T0-101-F
A5R101-R103	0757-0280	3		6	RESISTOR 1K 1% .125W TF TC=0+-100	24546	CT4-1/8-T0-1001-F
A5R200	0757-0280	3			RESISTOR 1K 1% .125W TF TC=0+-100	24546	CT4-1/8-T0-1001-F
A5R208-R209	0757-0427	0		2	RESISTOR 1.5K 1% .125W TF TC=0+-100	24546	CT4-1/8-T0-1501-F
A5R400	0757-0442	9		6	RESISTOR 10K 1% .125W TF TC=0+-100	24546	CT4-1/8-T0-1002-F
A5R502	0757-0280	3			RESISTOR 1K 1% .125W TF TC=0+-100	24546	CT4-1/8-T0-1001-F
A5R600	0757-0442	9			RESISTOR 10K 1% .125W TF TC=0+-100	24546	CT4-1/8-T0-1002-F
A5R601	0757-0280	3			RESISTOR 1K 1% .125W TF TC=0+-100	24546	CT4-1/8-T0-1001-F
A5R700	0757-0442	9			RESISTOR 10K 1% .125W TF TC=0+-100	24546	CT4-1/8-T0-1002-F
A5R701-R702	0757-0401	0			RESISTOR 100 1% .125W TF TC=0+-100	24546	CT4-1/8-T0-101-F
A5R703	0757-0442	9			RESISTOR 10K 1% .125W TF TC=0+-100	24546	CT4-1/8-T0-1002-F
A5R704-R705	0757-0401	0			RESISTOR 100 1% .125W TF TC=0+-100	24546	CT4-1/8-T0-101-F
A5R800	0757-0442	9			RESISTOR 10K 1% .125W TF TC=0+-100	24546	CT4-1/8-T0-1002-F
A5R801	0757-0433	8		1	RESISTOR 3.32K 1% .125W TF TC=0+-100	24546	CT4-1/8-T0-3321-F
A5R900	0757-0442	9			RESISTOR 10K 1% .125W TF TC=0+-100	24546	CT4-1/8-T0-1002-F
A5RP100-RP103	1810-0286	4		4	NETWORK-RES 16-DIP 10.0K OHM X 15	11236	761-1-R10K
A5RP105-RP107	1810-0338	7		3	NETWORK-RES 16-DIP 100.0 OHM X 8	11236	761-3-R100
A5U100	1820-5700	8		1	IC 16-BIT MPU, 8MHZ, CMOS	04713	MC68HC000P8
A5U101-U102	1820-3378	2		3	IC LCH TTL ALS D-TYPE NEG-EDGE-TRIG OCTL	27014	DM74ALS373N
A5U103-U104	1820-3121	3		3	IC TRANSCEIVER TTL ALS BUS OCTL	01295	SN74ALS245AN
A5U105	03458-88803	9		1	PAL-PROGRAMMED 8L14ACN	28480	03458-88803
A5U106	03458-88804	0		1	PAL-PROGRAMMED 8L14ACN	28480	03458-88804
A5U107	1820-3378	2			IC LCH TTL ALS D-TYPE NEG-EDGE-TRIG OCTL	27014	DM74ALS373N
A5U110	03458-88840	4		1	EPROM-PRGM27C512 REV4	28480	03458-88840
A5U111	03458-88841	5		1	EPROM-PRGM27512 REV4	28480	03458-88841
A5U112	03458-88842	6		1	EPROM-PRGM27512 REV4	28480	03458-88842
A5U113	03458-88843	7		1	EPROM-PRGM27512 REV4	28480	03458-88843
A5U114	03458-88844	8		1	EPROM PRGM27C512 REV4	28480	03458-88844
A5U115	03458-88845	9		1	EPROM-PRGM27C512 REV4	28480	03458-88845
A5U121-U122	1818-4336	9		1	IC DS1235Y-150 256K NONVOLATILE RAM	28480	1818-4336
A5U130	1820-3537	5		4	IC FF CMOS/74HC D-TYPE POS-EDGE-TRIG	18324	74HCT74N
A5U131	1820-4949	5		2	IC CNTR CMOS/74HC BIN ASYNCHRO	18324	74HCT4020N
A5U132	1818-4335	8		1	IC STATIC RANDOM-ACCESS MEMORY (DS1220Y-150)	28480	1818-4335
A5U134	1820-3664	9		2	IC GATE CMOS/74HC NAND QUAD 2-INP	27014	MM74HCT00N
A5U135	1820-4948	4		2	IC CNTR CMOS/74HC BIN ASYNCHRO	18324	74HCT393N
A5U140	1820-4721	1		3	IC GATE CMOS/74HC OR QUAD 2-INP	18324	74HCT32N
A5U141	1820-4643	6		1	IC GATE CMOS/74HC NOR QUAD 2-INP	18324	74HCT02N

A5 ASSEMBLY (03458-66505) REPLACEMENT PARTS

Reference Designation	HP Part Number	C D	Qty	Part Description	Mfr. Code	Mfr. Part Number
A5U200	1820-4948	4		IC CNTR CMOS/74HC BIN ASYNCHRO	18324	74HCT393N
A5U400	1820-5875	8	1	IC-PROGRAMMABLE TIMER MODULE; 6MHZ	28480	1820-5875
A5U401	1820-3664	9		IC GATE CMOS/74HC NAND QUAD 2-INP	27014	MM74HCT00N
A5U500	03458-88805	1	1	PAL-PROGRAMMED 16H2-2	28480	03458-88805
A5U501	1820-4863	2	2	IC GATE CMOS/74HCT NAND QUAD 2-INP	18324	74HCT03N
A5U503	1820-4949	5		IC CNTR CMOS/74HC BIN ASYNCHRO	18324	74HCT4020N
A5U600	1820-4086	1	1	IC FF CMOS/74HC D-TYPE POS-EDGE-TRIG COM	18324	74HCT273N
A5U601	1820-3629	6	1	IC INV CMOS/74HC HEX	27014	MM74HCT04N
A5U602	1820-4863	2		IC GATE CMOS/74HCT NAND QUAD 2-INP	18324	74HCT03N
A5U603	1820-4586	6	1	IC DRVR/RXVR CMOS/74HC LINE OCTL	01295	SN74HCT541N
A5U605	1820-4675	4	1	IC ENCDR CMOS/74HC PRIORITY 8-TO-3-LINE	01295	SN74HC148N
A5U700	1820-3671	8	1	IC GATE ARRAY CMOS	28480	1820-3671
A5U701	1820-3537	5		IC FF CMOS/74HC D-TYPE POS-EDGE-TRIG	18324	74HCT74N
A5U702	1820-4721	1		IC GATE CMOS/74HC OR QUAD 2-INP	18324	74HCT32N
A5U703	1820-4583	3	3	IC GATE CMOS/74HC AND QUAD 2-INP	18324	74HCT08N
A5U800	1820-5905	5	1	IC ASYNCH COMMUN INTERFACE ADAPTER (HD63A50P)	28480	1820-5905
A5U900	1820-3121	3		IC TRANSCEIVER TTL ALS BUS OCTL	01295	SN74ALS245AN
A5U901	1820-4147	5	1	IC LCH CMOS/74HC TRANSPARENT OCTL	34371	CD74HCT573E
A5U902-U903	1820-3537	5		IC FF CMOS/74HC D-TYPE POS-EDGE-TRIG	18324	74HCT74N
A5U904	1820-2548	6	1	IC-GENERAL PURPOSE INTERFACE BUS ADAPTER	01295	TMS9914ANL
A5U905	1820-6170	8	1	IC INTERFACE XCVR BIPOLAR BUS OCTL	01295	SN75ALS160N
A5U906	1820-3513	7	1	IC-INTERFACE XCVR BCD UP/DOWN INSTRUMENT	27014	DS75161AN
A5U907	03458-88806	2	1	PAL-PROGRAMMED 16R4A-2	28480	03458-88806
A5U908	1820-4721	1		IC GATE CMOS/74HC OR QUAD 2-INP	18324	74HCT32N
A5U909-U910	1820-4583	3		IC GATE CMOS/74HC AND QUAD 2-INP	18324	74HCT08N
A5XU110-XU115	1200-0861	8	10	SOCKET-IC 28-CONT DIP DIP-SLDR	00779	640362-1
A5XU123-XU126	1200-0861	8		SOCKET-IC 28-CONT DIP DIP-SLDR	00779	640362-1
A5Y100	1813-0591	0	1	CLOCK-OSCILLATOR-XTAL 8.0-MHZ 0.005%	04713	RASCO-0CS-8MHZ
A5Y700	1813-0191	6	1	CLOCK-OSCILLATOR-XTAL 10-MHZ 0.005% TTL	00815	HS-100(50PPM)
PC ASSEMBLY MOUNTING HARDWARE						
	0515-0372	2	6	SCREW-MACHINE M3 X 0.5 8MM-LG TORX T10	28480	0515-0577
	5180-6650	5	2	STANDOFF-HEX HP1B CONNECTOR MOUNTING	28480	5180-6650
	2190-0577	1	2	WASHER-LOCK HLCL NO. 10 .194-IN-ID	28480	2190-0577

Mfr. Code	Manufacturer's Name	Manufacturer's Address		Zip Code
00779	AMP INC	HARRISBURG	PA US	17111
00815	NEL FREQUENCY CONTROLS INC	BURLINGTON	WI US	53105
01295	TEXAS INSTRUMENTS INC	DALLAS	TX US	75265
01686	RCL ELECTRONICS INC	NORTHBROOK	IL US	60062
02114	FERROXCUBE CORP	SAUGERTIES	NY US	12477
04222	AVX CORP	GREAT NECK	NY US	11021
04713	MOTOROLA INC	ROSELLE	IL US	60195
11236	CTS CORP	ELKHART	IN US	46514
18324	SIGNETICS CORP	SUNNYVALE	CA US	94086
18873	DUPONT E I DE NEMOURS & CO	WILMINGTON	DE US	19801
24546	CORNING GLASS WORKS	CORNING	NY US	14830
27014	NATIONAL SEMICONDUCTOR CORP	SANTA CLARA	CA US	95052
27264	MOLEX INC	LISLE	IL US	60532
28480	HEWLETT PACKARD COMPANY - CORPORATE	PALO ALTO	CA US	94304
34371	HARRIS CORP	MELBOURNE	FL US	32901
56289	SPRAGUE ELECTRIC CO	LEXINGTON	MA US	02173
76381	3M CO	ST PAUL	MN US	55144

HP 3458A
A6 ASSEMBLY (03458-66506) REPLACEMENT PARTS

Reference Designation	HP Part Number	C D	Qty	Part Description	Mfr. Code	Mfr. Part Number
A6	03458-66506	3	1	PC ASSEMBLY	28480	03458-66506
A6C1	0180-4032	8	2	CAPACITOR-FXD 680UF 50 V AL ELCLTL	28480	0180-4032
A6C2	0180-0116	1	1	CAPACITOR-FXD 6.8UF+-10% 35VDC TA	56289	150D685X9035B2-DYS
A6C3	0160-4819	7	1	CAPACITOR-FXD 2200PF +-5% 100VDC CER	04222	SA301A222JAAH
A6C4	0180-0197	8	3	CAPACITOR-FXD 2.2UF+-10% 20VDC TA	56289	150D225X9020A2-DYS
A6C5-C6	0160-4842	6	2	CAPACITOR-FXD .22UF +80-20% 50VDC CER	04222	SA115E224ZAAH
A6C7	0160-4204	4	1	CAPACITOR-FXD .033UF +-10% 500VDC CER	72982	8131-M500-W5R-333K
A6C8	0180-3898	6	1	CAPACITOR-FXD 8300UF+75-10% 35VDC AL	56289	53D832G035JP7
A6C9	0160-4571	8	1	CAPACITOR-FXD .1UF +80-20% 50VDC CER	04222	SA105E104ZAAH
A6C11	0180-4032	8		CAPACITOR-FXD 680UF 50 V AL ELCLTL	28480	0180-4032
A6C12	0180-0100	3	1	CAPACITOR-FXD 4.7UF+-10% 35VDC TA	56289	150D475X9035B2-DYS
A6C15-C16	0160-4281	7	2	CAPACITOR-FXD 2200PF +-20% 250VAC(RMS)	28480	0160-4281
A6C103	0160-4835	7	5	CAPACITOR-FXD .1UF +-10% 50VDC CER	04222	SA115C104KAAH
A6C104	0160-4787	8	1	CAPACITOR-FXD 22PF +-5% 100VDC CER 0+-30	04222	SA102A220JAAH
A6C105	0180-0197	8		CAPACITOR-FXD 2.2UF+-10% 20VDC TA	56289	150D225X9020A2-DYS
A6C200-C201	0180-3828	4	2	CAPACITOR-FXD 47UF+-20% 63VDC AL	28480	0180-3828
A6C202	0180-3830	0	1	CAPACITOR-FXD 330UF+-20% 25VDC AL	28480	0180-3830
A6C203	0180-3829	7	1	CAPACITOR-FXD 220UF+-20% 16VDC AL	28480	0180-3829
A6C301-C303	0160-4835	7		CAPACITOR-FXD .1UF +-10% 50VDC CER	04222	SA115C104KAAH
A6C304	0180-0197	8		CAPACITOR-FXD 2.2UF+-10% 20VDC TA	56289	150D225X9020A2-DYS
A6C400	0160-4822	2	1	CAPACITOR-FXD 1000PF +-5% 100VDC CER	04222	SA201A102JAAH
A6C401	0160-4835	7		CAPACITOR-FXD .1UF +-10% 50VDC CER	04222	SA115C104KAAH
A6C402-C403	0160-4832	4	7	CAPACITOR-FXD .01UF +-10% 100VDC CER	04222	SA101C103KAAH
A6C405	0160-4832	4		CAPACITOR-FXD .01UF +-10% 100VDC CER	04222	SA101C103KAAH
A6C406-C407	0180-0291	3	2	CAPACITOR-FXD 1UF+-10% 35VDC TA	56289	150D105X9035A2-DYS
A6C409-C421	0160-4812	0	20	CAPACITOR-FXD 220PF +-5% 100VDC CER	04222	SA101A221JAAH
A6C422-C425	0160-4832	4		CAPACITOR-FXD .01UF +-10% 100VDC CER	04222	SA101C103KAAH
A6C426-C432	0160-4812	0		CAPACITOR-FXD 220PF +-5% 100VDC CER	04222	SA101A221JAAH
A6CR1	1901-0638	3	1	DIODE FULL-WAVE BRIDGE 100V 4A	04713	MDA970A2
A6CR2	1902-1505	1	1	DIODE-V-SUPPR 6.5V TO-220AC	04713	MZT4554B
A6CR3	1902-0644	3	1	DIODE-ZENER 1N5363B 30V 5% PD=5W TC=+29MV	28480	1902-0644
A6CR4	1901-0782	8	1	DIODE-SCHOTTKY 30V 3A	04713	1N5821
A6CR100	1900-0233	9	1	DIODE-SCHOTTKY 5M SIG 1N5711	50088	1N5711
A6CR101	1901-0050	3	2	DIODE-SWITCHING 80V 200MA 2NS DO-35	25403	BAV10 SELECTED
A6CR301-CR304	1901-0734	0	4	DIODE-POWER RECTIFIER 1N5818 30V 1A	04713	1N5818
A6CR305	1901-0050	3		DIODE-SWITCHING 80V 200MA 2NS DO-35	25403	BAV10 SELECTED
A6CR306-CR307	1902-0952	6	2	DIODE-ZENER 5.6V 5% DO-35 PD=.4W TC=+.046%	28480	1902-0952
A6CR400	1902-0951	5	1	DIODE-ZENER 5.1V 5% DO-35 PD=.4W TC=+.035%	28480	1902-0951
A6E400	0960-0561	4	1	AUDIO TRANSDUCER 1-3VDC; 80DB AT 10CM	28480	0960-0561
A6F1	2110-0043	1	1	FUSE 1.5A 250V NTD FE UL	75915	312 01.5
A6FC1	2110-0565	9	1	FUSEHOLDER CAP 12A MAX FOR UL	28480	2110-0565
A6HS2	1205-0318	0	1	HEAT SINK SGL TO-220-CS	13103	6045B
A6J15	1251-0600	0	1	CONNECTOR-SGL CONT PIN 1.14-MM-BSC-SZ SQ	27264	16-06-0034
A6J100	1251-8106	1	1	CONNECTOR-POST TYPE .100-PIN-SPCG 20-CONT	76381	3592-6002
A6J101	1005-0097	4	2	RECEIVER-FIBER OPTIC DATA RATE PC MOUNT	28480	HFBR-2501
A6J102	1005-0096	3	2	TRANSMITTER-FIBER OPTIC DATA RATE PC MOUNT	28480	HFBR-1510
A6J200	1251-8248	4	1	CONNECTOR-POST TYPE .100-PIN-SPCG 26-CONT	76381	3593-6002
A6J303	1005-0096	3		TRANSMITTER-FIBER OPTIC DATA RATE PC MOUNT	28480	HFBR-1510
A6J304	1005-0097	4		RECEIVER-FIBER OPTIC DATA RATE PC MOUNT	28480	HFBR-2501
A6JM1	7175-0057	5	9	RESISTOR-ZERO OHMS SOLID TINNED COPPER	19701	5020CX0R000SB2AAZ
A6JM100-JM103	7175-0057	5		RESISTOR-ZERO OHMS SOLID TINNED COPPER	19701	5020CX0R000SB2AAZ
A6JM200	7175-0057	5		RESISTOR-ZERO OHMS SOLID TINNED COPPER	19701	5020CX0R000SB2AAZ
A6JM300	7175-0057	5		RESISTOR-ZERO OHMS SOLID TINNED COPPER	19701	5020CX0R000SB2AAZ
A6JM400-JM401	7175-0057	5		RESISTOR-ZERO OHMS SOLID TINNED COPPER	19701	5020CX0R000SB2AAZ

A6 ASSEMBLY (03458-66506) REPLACEMENT PARTS

Reference Designation	HP Part Number	C	D	Qty	Part Description	Mfr. Code	Mfr. Part Number
A6L1	9140-1178	1		1	INDUCTOR-FIXED L=643 UH @ 0adc MIN	01961	PE-51970
A6L2	9140-1062	2		2	INDUCTOR-FIXED L: 70 UH TYPICAL @ 3.0 A	01961	52679
A6L200	9140-1062	2		2	INDUCTOR-FIXED L: 70 UH TYPICAL @ 3.0 A	01961	52679
A6L201	9100-3560	6		1	INDUCTOR RF-CH-MLD 5.6UH +-5%	24226	15M561J
A6L401-L404	9170-1368	5		4	CORE-MAGNETIC INIT PERMEABILITY: 1000	02114	11426-4A6
A6LBL1	7120-6830	9		1	LABEL-INFO WRNTY DATA .25-IN-WD .625-IN-LG	28480	7120-6830
A6LBL2	9320-5333	1		1	LABEL-LINE-PRINTER; .625-IN-WD X .25-IN-LG	28480	9320-5333
A6MP1	03458-01204	2		1	BRACKET-HEAT SINK	28480	03458-01204
A6P2	1252-0239	7		1	CONNECTOR-POST TYPE 5.0-PIN-SPCG 8-CONT	27264	10-16-3081
A6P3	1252-2518	6		1	CONNECTOR-HEADER, 2 CONT	27264	703-89-0071
A6P301	1252-0293	6		1	CONNECTOR-POST TYPE .100-PIN-SPCG 4-CONT	27264	22-11-2042
A6R1	0757-0280	3		1	RESISTOR 1K 1% .125W TF TC=0+-100	24546	CT4-1/8-T0-1001-F
A6R2	0698-3279	0		1	RESISTOR 4.99K 1% .125W TF TC=0+-100	24546	CT4-1/8-T0-4991-F
A6R5	0699-1075	2		1	RESISTOR .1 3% 3W TF TC=0+-337	01686	LO-3-0.1-3-BP
A6R6	0757-0446	3		2	RESISTOR 15K 1% .125W TF TC=0+-100	24546	CT4-1/8-T0-1502-F
A6R101	0698-4422	7		1	RESISTOR 1.27K 1% .125W TF TC=0+-100	24546	CT4-1/8-T0-1271-F
A6R102	0757-0420	3		1	RESISTOR 750 1% .125W TF TC=0+-100	24546	CT4-1/8-T0-751-F
A6R103	0698-4123	5		1	RESISTOR 499 1% .125W TF TC=0+-100	24546	CT4-1/8-T0-499R-F
A6R104	0757-0284	7		3	RESISTOR 150 1% .125W TF TC=0+-100	24546	CT4-1/8-T0-151-F
A6R105-R108	0757-0401	0		5	RESISTOR 100 1% .125W TF TC=0+-100	24546	CT4-1/8-T0-101-F
A6R301	0698-4422	7		1	RESISTOR 1.27K 1% .125W TF TC=0+-100	24546	CT4-1/8-T0-1271-F
A6R302	0757-0446	3		1	RESISTOR 15K 1% .125W TF TC=0+-100	24546	CT4-1/8-T0-1502-F
A6R303	0757-0284	7		1	RESISTOR 150 1% .125W TF TC=0+-100	24546	CT4-1/8-T0-151-F
A6R304	0764-0016	8		1	RESISTOR 1K 5% 2W MO TC=0+-200	28480	0764-0016
A6R405	0757-0474	7		2	RESISTOR 243K 1% .125W TF TC=0+-100	24546	CT4-1/8-T0-2433-F
A6R406	0757-0284	7		1	RESISTOR 150 1% .125W TF TC=0+-100	24546	CT4-1/8-T0-151-F
A6R407	0757-0474	7		1	RESISTOR 243K 1% .125W TF TC=0+-100	24546	CT4-1/8-T0-2433-F
A6R409	0757-0401	0		1	RESISTOR 100 1% .125W TF TC=0+-100	24546	CT4-1/8-T0-101-F
A6RP400	1810-0286	4		1	NETWORK-RESISTOR 16-DIP 10.0K OHM X 15	11236	761-1-R10K
A6RP401-RP403	1810-0338	7		3	NETWORK-RESISTOR 16-DIP 100.0 OHM X 8	11236	761-3-R100
A6RT301-RT302	0837-0383	6		2	THERMISTOR POS-TC 100 OHM @ 25 C	28480	0837-0383
A6S1-S2	3101-2769	2		2	SWITCH-SLIDE DPDT STD 5A 250VAC PC	28480	3101-2769
A6S3	3101-2887	4		1	SWITCH-PB DPDT ALTNIG 6A 250VAC	71468	130222
A6SCR1	1884-0082	3		1	THYRISTOR-SCR 2N4441 VRRM=50	04713	2N4441
A6SCW1	0515-0372	2		1	SCREW-MACHINE M3 X 0.5 8MM-LG TORX T10	28480	0515-0372
A6U1	1826-1822	3		1	IC V RGLTR-SWG 5.1/40V 15 PKG	50088	L296HT
A6U2	1826-0106	0		1	IC V RGLTR-FXD-POS 14.4/15.6V TO-220 PKG	04713	MC7815CT
A6U100-U101	1820-4242	4		3	IC SCHMITT-TRIG CMOS/74HC INV HEX	18324	74HCT14N
A6U200	0950-1904	4		1	DC-DC CONVERTER	28480	0950-1904
A6U301	1820-1416	5		1	IC SCHMITT-TRIG TTL LS INV HEX 1-IMP	01295	SN74LS14N
A6U302	1820-4242	4		1	IC SCHMITT-TRIG CMOS/74HC INV HEX	18324	74HCT14N
A6U400	03458-85502	9		1	IC-ROM PROGRAMED(INTELL)80C51	28480	03458-85502
A6U401	1826-0180	0		1	IC TIMER TTL MONO/ASTBL	18324	NE555N
A6U402	1820-3664	9		1	IC GATE CMOS/74HC NAND QUAD 2-INP	27014	MM74HCT00N
A6W3-W4	5061-1664	9		2	18 AWG TERM1;1251-4823 TERM2;8MM STRIP	28480	5061-1664
A6XF1	2110-0642	3		1	FUSEHOLDER-EXTR POST 6.3A 250 V BAY CAP	28480	2110-0642
A6Y400	1813-0492	5		1	IC OSCILLATOR 12MHZ	28480	1813-0492
					PC ASSEMBLY MOUNTING HARDWARE		
	0515-0372	2		4	SCREW-MACHINE M3 X 0.5 8MM-LG TORX T10	28480	0515-0372

Code List of Manufacturers

Mfr. Code	Manufacturer's Name	Manufacturer's Address	Zip Code
01295	TEXAS INSTRUMENTS INC	DALLAS TX US	75265
01686	RCL ELECTRONICS INC	NORTHBROOK IL US	60062
01961	PULSE ENGINEERING INC	SAN DIEGO CA US	92111
02114	FERROXCUBE CORP	SAUGERTIES NY US	12477
04222	AVX CORP	GREAT NECK NY US	11021
04713	MOTOROLA INC	ROSELLE IL US	60195
11236	CTS CORP	ELKHART IN US	46514
13103	THERMALLOY INC	DALLAS TX US	75234
18324	SIGNETICS CORP	SUNNYVALE CA US	94086
19701	MEPCO/CENTRALAB INC	RIVIERA FL US	33404
24226	GOWANDA ELECTRONICS CORP	GOWANDA NY US	14070
24546	CORNING GLASS WORKS	CORNING NY US	14830
25403	NV PHILIPS ELCOMA	EINDHOVEN NE	02876
27014	NATIONAL SEMICONDUCTOR CORP	SANTA CLARA CA US	95052
27264	MOLEX INC	LISLE IL US	60532
28480	HEWLETT PACKARD COMPANY - CORPORATE	PALO ALTO CA US	94304
50088	SGS-THOMSON MICROELECTRONICS INC	PHOENIX AZ US	85022
56289	SPRAGUE ELECTRIC CO	LEXINGTON MA US	02173
71468	ITT CORP	NEW YORK NY US	10022
75915	LITTELFUSE INC	DES PLAINES IL US	60016
76381	3M CO	ST PAUL MN US	55144

A7 ASSEMBLY (03458-66507) REPLACEMENT PARTS

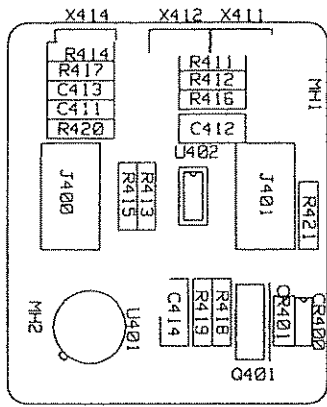
Reference Designation	HP Part Number	C D	Qty	Part Description	Mfr. Code	Mfr. Part Number
A7	03458-66507	4	1	PC ASSEMBLY-DISPLAY LOGIC	28480	03458-66507
A7C1-C3	0160-4832	4	3	CAPACITOR-FXD .01UF +-10% 100VDC CER	04222	SA101C103KAAH
A7CR1-CR5	1902-0657	8	5	DIODE-ZENER 43.2V 5% DO-15 PD=1W TC=+.08%	28480	1902-0657
A7LBL1	7120-6830	9	1	LABEL-INFO WRNTY DATE CODE .25-IN-WD .625-IN-LG	28480	7120-6830
A7LBL2	9320-5333	1	1	LABEL-LINE-PRINTER; .625-IN-WD X .25-IN-LG	28480	9320-5333
A7Q1	1853-0510	7	1	TRANSISTOR PNP TO-92 PD=625MW	28480	1853-0510
A7R1	0757-0273	4	1	RESISTOR 3.01K 1% .125W TF TC=0+-100	24546	CT4-1/8-T0-3011-F
A7R2	0757-0442	9	1	RESISTOR 10K 1% .125W TF TC=0+-100	24546	CT4-1/8-T0-1002-F
A7R3	0757-0458	7	1	RESISTOR 51.1K 1% .125W TF TC=0+-100	24546	CT4-1/8-T0-5112-F
A7SHD1-SHD2	03458-00604	4	1	SHIELD-ESD	28480	03458-00604
A7U1	2090-0217	2	1	IC DISPLAY-FIP	28480	2090-0217
A7U2	1820-5287	6	1	IC-INTERFACE DRVR CMOS DISPLAY	27014	MM58248N
A7U3	1820-5286	0	1	IC-INTERFACE DRVR CMOS DISPLAY	27014	MM58242N
A7W1	03458-61605	3	1	CABLE ASSY RIBBON 26P/	28480	03458-61605
				PC ASSEMBLY MOUNTING HARDWARE		
	0624-0681	7	1	SCREW-TAPPING 4-20 .25-IN-LG PAN-HD-TORX T10	28480	0624-0681

Mfr. Code	Manufacturer's Name	Manufacturer's Address	Zip Code
04222 24546 27014 28480	AVX CORP CORNING GLASS WORKS NATIONAL SEMICONDUCTOR CORP HEWLETT PACKARD COMPANY - CORPORATE	GREAT NECK CORNING SANTA CLARA PALO ALTO	NY US 11021 NY US 14830 CA US 95052 CA US 94304

HP 3458A A9 ASSEMBLY (03458-66509) REPLACEMENT PARTS

Reference Designation	HP Part Number	C D	Qty	Part Description	Mfr. Code	Mfr. Part Number
A9	03458-66509	6	1	PC ASSEMBLY-DC REFERENCE	28480	03458-66509
A9C411	0160-4833	5	1	CAPACITOR-FXD .022UF +-10% 100VDC CER	04222	SA201C223KAAH
A9C412	0160-4835	7	1	CAPACITOR-FXD .1UF +-10% 50VDC CER	04222	SA115C104KAAH
A9C413	0160-3847	9	1	CAPACITOR-FXD .01UF +100-0% 50VDC CER	04222	SA105C103PAAH
A9C414	0160-4835	7	1	CAPACITOR-FXD .1UF +-10% 50VDC CER	04222	SA115C104KAAH
A9CR400	1901-0040	1	1	DIODE-SWITCHING 30V 50MA 2NS DO-35	28480	1901-0040
A9CR401	1901-0743	1	1	DIODE-PWR RECT 1N4004 400V 1A DO-41	01295	1N4004
A9CVR1	03458-44102	9	1	COVER-DIODE	28480	03458-44102
A9J400-J401	1251-6041	5	2	CONNECTOR-POST TYPE .100-PIN-SPCG 5-CONT	27264	22-17-2052
A9Q401	1854-0585	8	1	TRANSISTOR NPN SI PD=12.5W FT=50MHZ	04713	MJE182
A9R411	0698-7133	3	1	RESISTOR 15K .05% .225W MF TC=0+-1.3	28480	0698-7133
A9R412	0698-8066	3	1	RESISTOR 1K .01% .15W MF TC=0+-1.3	28480	0698-8066
A9R413	0699-0311	7	2	RESISTOR 74.25K .1% .1W TF TC=0+-10	28480	0699-0311
A9R414	0699-2452	6	1	RESISTOR 111 .1% .3W MF TC=0+-1.3	28480	0699-2452
A9R415	0699-0311	7	1	RESISTOR 74.25K .1% .1W TF TC=0+-10	28480	0699-0311
A9R416	0757-0442	9	1	RESISTOR 10K 1% .125W TF TC=0+-100	24546	CT4-1/8-T0-1002-F
A9R417	0757-0472	5	1	RESISTOR 200K 1% .125W TF TC=0+-100	24546	CT4-1/8-T0-2003-F
A9R418	0698-4123	5	1	RESISTOR 499 1% .125W TF TC=0+-100	24546	CT4-1/8-T0-499R-F
A9R419	0698-3492	9	1	RESISTOR 2.67K 1% .125W TF TC=0+-100	24546	CT4-1/8-T0-2671-F
A9R420	0698-8827	4	1	RESISTOR 1M 1% .125W TF TC=0+-100	28480	0698-8827
A9R421	0757-0465	6	1	RESISTOR 100K 1% .125W TF TC=0+-100	24546	CT4-1/8-T0-1003-F
A9U401	1826-1860	9	1	VOLTAGE REFERENCE-FIXED 7V T0-99-PKG	28480	1826-1860
A9U402	1826-1409	9	1	IC OP AMP LOW-NOISE DUAL 8-DIP-P PKG	28480	1826-1409
				PC ASSEMBLY MOUNTING HARDWARE		
	0515-1440	1	2	SCREW-MACHINE M3 X0.5 20MM-LG TORX T10	28480	0515-1410

Mfr. Code	Manufacturer's Name	Manufacturer's Address	Zip Code
01295	TEXAS INSTRUMENTS INC	DALLAS TX US	75265
04222	AVX CORP	GREAT NECK NY US	11021
04713	MOTOROLA INC	ROSELLE IL US	60195
24546	CORNING GLASS WORKS	CORNING NY US	14830
27264	MOLEX INC	LISLE IL US	60532
28480	HEWLETT PACKARD COMPANY - CORPORATE	PALO ALTO CA US	94304



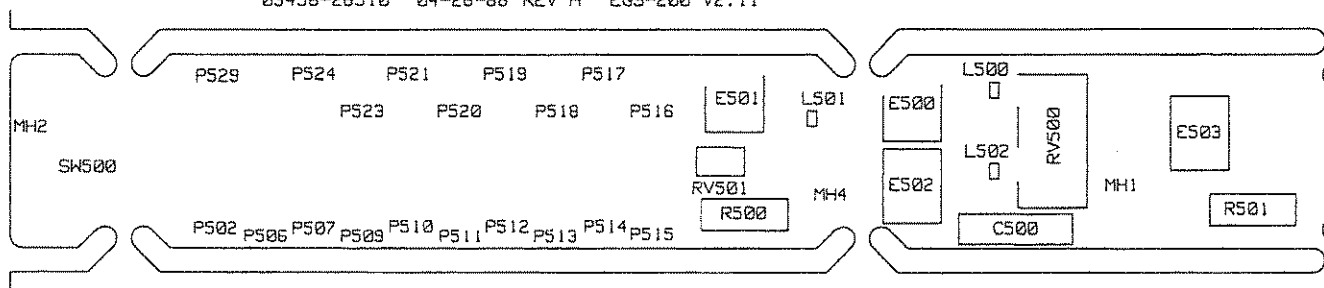
03458-25509 11-3-87 REV R HPEGS V2.11

HP 3458A A10 ASSEMBLY (03458-66510) REPLACEMENT PARTS

Reference Designation	HP Part Number	C D	Qty	Part Description	Mfr. Code	Mfr. Part Number
A10	03458-66510	9	1	PC ASSEMBLY-SWITCH	28480	03458-66510
A10C500	0150-0012	3	1	CAPACITOR-FXD .01UF +-20% 1KVDC CER	56289	C023A102J103MS38
A10E500-E503	1970-0206	6	4	TUBE-VOLTAGE PROTECTOR	28480	1970-0206
A10HDW1	1400-0499	2	1	BRACKET-RTANG .344-LG X .438-LG .281-WD	73734	129500
A10HDW2	0361-0229	1	1	RIVET-SEMITUB OVH .1230IA .156LG	12014	R-3472
A10L500-L502	9100-3551	5	3	INDUCTOR RF-CH-MLD 1UH +-5%	24226	15M101J
A10P502	1251-0600	0	19	CONNECTOR-SGL CONT PIN 1.14-MM-BSC-SZ SQ	27264	16-06-0034
A10P506-P507	1251-0600	0		CONNECTOR-SGL CONT PIN 1.14-MM-BSC-SZ SQ	27264	16-06-0034
A10P509-P521	1251-0600	0		CONNECTOR-SGL CONT PIN 1.14-MM-BSC-SZ SQ	27264	16-06-0034
A10P523-P524	1251-0600	0		CONNECTOR-SGL CONT PIN 1.14-MM-BSC-SZ SQ	27264	16-06-0034
A10P529	1251-0600	0		CONNECTOR-SGL CONT PIN 1.14-MM-BSC-SZ SQ	27264	16-06-0034
A10R500	0687-2251	3	1	RESISTOR 2.2M 10% .5W CC TC=0+1000	01121	EB2251
A10R501	0686-1025	5	1	RESISTOR 1K 5% .5W CC TC=0+647	01121	EB1025
A10RV500	0837-0382	3	1	DIODE-VRYS 1.1KV	28480	0837-0382
A10RV501	0837-0196	0	1	VOLTAGE SUPPRESSOR VNHOM=430V, 10A PEAK	34371	V430MA3A
A10SW500	3101-2969	9	1	SWITCH-PUSHBUTTON,10DPT	71468	602757
				PC ASSEMBLY MOUNTING HARDWARE		
	0515-0372	2	4	SCREW-MACHINE M3 X 0.5 8MM-LG TORX T10	28480	0515-0372

Mfr. Code	Manufacturer's Name	Manufacturer's Address	Zip Code
01121	ALLEN-BRADLEY CO INC	EL PASO TX US	79935
12014	CHICAGO RIVET & MACHINE CO	NAPERVILLE IL US	60540
24226	GOWANDA ELECTRONICS CORP	GOWANDA NY US	14070
27264	MOLEX INC	LISLE IL US	60532
28480	HEWLETT PACKARD COMPANY - CORPORATE	PALO ALTO CA US	94304
34371	HARRIS CORP	MELBOURNE FL US	32901
56289	SPRAGUE ELECTRIC CO	LEXINGTON MA US	02173
71468	ITT CORP	NEW YORK NY US	10022
73734	FEDERAL SCREW PRODUCTS CO	CHICAGO IL US	60618

03458-26510 04-26-88 REV A EGS-200 V2.11



MECHANICAL REPLACEMENT PARTS

Reference Designation	HP Part Number	C D	Qty	Part Description	Mfr. Code	Mfr. Part Number
PRINTED CIRCUIT ASSEMBLIES						
A1	03458-66501	8	1	PC ASSEMBLY-DCR	28480	03458-66501
A1-H01	03458-91002	7		PC ASSEMBLY-DCR (1000 VOLT AC OPTION)	28480	03458-91002
A2	03458-66502	9	1	PC ASSEMBLY-AC CONVERTER	28480	03458-66502
A2-H01	03458-91000	5		PC ASSEMBLY-AC CONVERTER (1000 VOLT AC OPTION)	28480	03458-91000
A3	03458-66503	0	1	PC ASSEMBLY-A/D INGUARD LOGIC	28480	03458-66503
A4	03458-66504	1	1	PC ASSEMBLY-INGUARD POWER SUPPLY	28480	03458-66504
A5	03458-66505	2	1	PC ASSEMBLY-OUTGUARD LOGIC	28480	03458-66505
A6	03458-66506	3	1	PC ASSEMBLY-OUTGUARD POWER SUPPLY	28480	03458-66506
A7	03458-66507	4	1	PC ASSEMBLY-DISPLAY LOGIC	28480	03458-66507
A9	03458-66509	6	1	PC ASSEMBLY-DC REFERENCE	28480	03458-66509
A10	03458-66510	9	1	PC ASSEMBLY-SWITCH	28480	03458-66510
A10-H01	03458-91001	6		PC ASSEMBLY-SWITCH (1000 VOLT AC OPTION)	28480	03458-91001
B1	03458-68501	0	1	FAN ASSEMBLY	28480	03458-68501
	1252-1878	1	2	CONTACT-CONNECTOR U/W-POST-TYPE FEMALE CRIMP	27264	16-02-0088
	1252-2519	1	1	CONNECTOR-HOUSING POST-TYPE	27264	50-57-9402
	3160-0492	8	1	FAN-TBAX 12.4-CFM 12VDC	28480	3160-0492
	0624-0530	6	2	SCREW-TPG 8-16 .375-IN-LG PAN-HD-TORX	28480	0624-0530
CHS1	03458-00103	8	1	INGUARD CHASSIS	28480	03458-00103
	0624-0681	7	1	SCREW-TPG 4-20 .25-IN-LG PAN-HD-TORX T10	28480	0624-0681
	0624-0530	6	6	SCREW-TPG 8-16 .375-IN-LG PAN-HD-TORX	28480	0624-0530
CVR1	03458-04101	4	1	COVER-TOP	28480	03458-04101
	0515-0372	2	4	SCREW-MACHINE M3 X 0.5 8MM-LG TX SQ CONE	28480	0515-0372
CVR2	03458-04102	5	1	COVER-BOTTOM	28480	03458-04102
MP35-MP36	1460-1345	5	2	TILT STAND SST	28480	1460-1345
MP43-MP46	5041-8801	8	4	FOOT	28480	5041-8801
	0515-0372	2	4	SCREW-MACHINE M3 X 0.5 8MM-LG TX SQ CONE	28480	0515-0372
F1	2110-0202	1	1	FUSE .5A 250V TD FE UL	75915	313.500
F2-F3	2110-0001	8	2	FUSE 1A 250V NTD FE UL	75915	312 001
FC2	2110-0565	9	1	FUSEHOLDER CAP 12A MAX FOR UL	28480	2110-0565
FRM1	03458-00101	6	1	MAINFRAME CHASSIS & LEFT INGUARD FRAME	28480	03458-00101
	9135-0167	1	1	FILTER-LINE CEE-22-TERMS	28480	9135-0167
	0400-0062	4	1	GROMMET-RND .5-IN-ID .625-IN-GRV-OD	51633	8069
	03458-84302	5	1	LABEL-REAR PANEL	28480	03458-84302
	2190-0432	7	4	WASHER-LK HLCL 5/16 IN .319-IN-ID	28480	2190-0432
	03458-24701	2	4	STANDOFF-HEX, (MALE/FEMALE)	28480	03458-24701
	1460-1311	5	1	STAMPING-BE-CU SPRING-LEAF	28480	1460-1311
	3050-0893	9	1	WASHER-FL MTLC 4.0 MM 4.4-MM-ID	28480	3050-0893
	0515-0367	5	1	SCREW-MACHINE ASSEMBLY M2.5 X 0.45	28480	0515-0367
	1510-0038	8	1	BINDING POST ASSY-SINGLE THD-STUD	74970	111-2223-001
	2190-0027	6	1	WASHER-LK INTL T 1/4 IN .256-IN-ID	78189	1914-00
	2950-0006	3	1	NUT-HEX-DBL-CHAM 1/4-32-THD .094-IN-THK	28480	2950-0006
J1-J2	1250-0083	1	2	CONNECTOR-RF BNC FEM SGL-HOLE-FR 50-OHM	24931	28JR130-1
	0360-1632	0	2	TERMINAL-SLDR LUG LK-MTG FOR-#3/8-SCR	79963	761-3/8
	2950-0001	8	2	NUT-HEX-DBL-CHAM 3/8-32-THD .094-IN-THK	28480	2950-0001
W3	03458-61602	0	1	CABLE ASSEMBLY-EXTERNAL I/O 4 WIRE	28480	03458-61602
	0380-1677	3		STANDOFF-HEX 32-MM-LG M3.0 X 0.5-THD	06540	19981-SS-0350
MP10	3150-0300	5	1	FILTER-AIR NYLON 2.3-IN-OD .75-IN-LG	28480	3150-0300
	0515-0372	2	2	SCREW-MACHINE M3 X 0.5 8MM-LG TX SQ CONE	28480	0515-0372
	03458-84300	3	1	LABEL-SERIAL NUMBER	28480	03458-84300
FRM2	03458-00102	7	1	FRAME-INGUARD, RIGHT	28480	03458-00102
	0515-0433	6	2	SCREW-MACHINE ASSEMBLY M4 X 0.7 8MM-LG	28480	0515-0433
	0515-0372	2	6	SCREW-MACHINE M3 X 0.5 8MM-LG TX SQ CONE	28480	0515-0372
FRM3	03458-00105	0	1	FRAME-OUTGUARD CHASSIS	28480	03458-00105
	0515-0372	2	4	SCREW-MACHINE M3 X 0.5 8MM-LG TX SQ CONE	28480	0515-0372

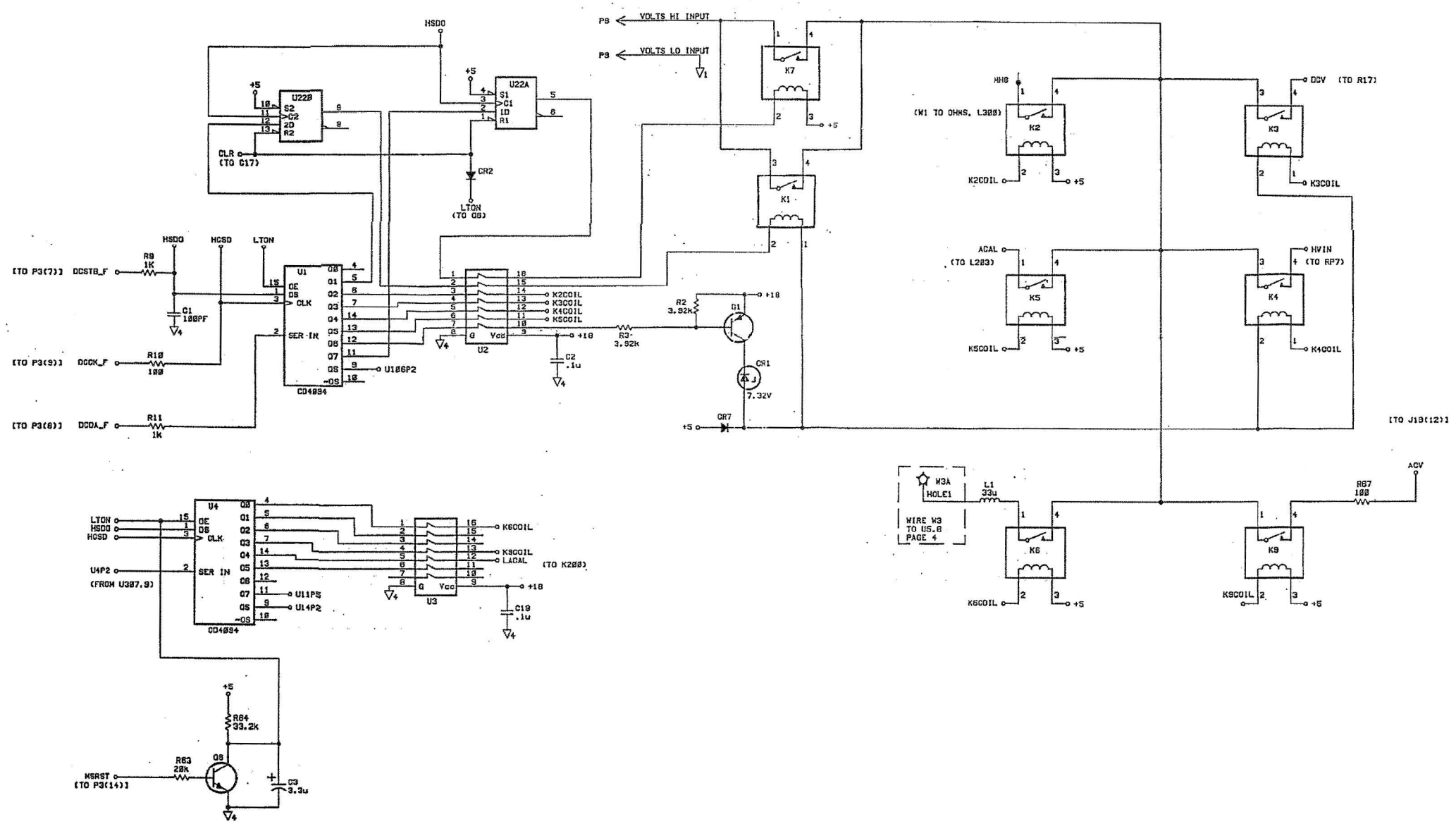
MECHANICAL REPLACEMENT PARTS

Reference Designation	HP Part Number	C	D	Qty	Part Description	Mfr. Code	Mfr. Part Number
J1-J2	1250-0083	1		2	CONNECTOR-RF BNC FEM SGL-HOLE-FR 50-OHM	24931	28JR130-1
KYC1	5041-0564	4		1	KEYCAP-PUSHBUTTON 1/4-IN-SQ WHITE	28480	5041-0564
KYC2-KYC3	5041-0267	4		2	KEYCAP-PUSHBUTTON 1/4-IN-SQ GRAY	28480	5041-0267
KYC4-KYC5	03458-44103	0		2	KEYCAP-LOCKING	28480	03458-44103
MNL1	03458-90000	3		1	MANUAL-SET (INCLUDES THE FOLLOWING)	28480	03458-90000
	03458-90001	4		1	MANUAL-OPERATING, PROGRAMMING, & CONFIGURATION	28480	03458-90001
	03458-90005	8		1	QUICK REFERENCE GUIDE	28480	03458-90005
	03458-90010	5		1	MANUAL-ASSEMBLY LEVEL SERVICE	28480	03458-90010
	03458-90015	0		1	MANUAL-CALIBRATION	28480	03458-90015
	9282-1078	1		1	BINDER, 3 RING 1.5IN BDR-CAP CLOUD-GRA	28480	9282-1078
MP1	03458-01201	9		1	BRACKET-TRANSFORMER	28480	03458-01201
	0515-0433	6		4	SCREW-MACHINE ASSEMBLY M4 X 0.7 8MM-LG	28480	0515-0433
MP8	03458-47901	2		1	BEZEL - REAR	28480	03458-47901
	LBL2	0		1	LABEL-INFORMATION CSA USAGE	80509	CSA # 8-1113-405
	7120-4835	6		1	LABEL-CAUTION	28480	7120-3528
	7120-3528	6		1	LABEL-CAUTION	28480	7120-3528
	7120-5648	5		1	LABEL-WARNING	28480	7120-5648
MP9	03458-84303	0		1	LABEL-KEYBOARD OVERLAY	28480	03458-84303
MP10	3150-0300	5		1	FILTER-AIR NYLON 2.3-IN-OD .75-IN-LG	28480	3150-0300
MP11	03458-43702	5		1	PUSHROD-POWER ON/OFF 177.6 LONG	28480	03458-43702
	KYC1	5041-0564		4	KEYCAP-PUSHBUTTON 1/4-IN-SQ WHITE	28480	5041-0564
MP12-MP13	03458-43701	7		2	PUSHROD (FRONT/REAR SELECT & GUARD OPEN/LO)	28480	03458-43701
	KYC2-KYC3	5041-0267		4	KEYCAP-PUSHBUTTON 1/4-IN-SQ GRAY	28480	5041-0267
MP14-MP15	03458-44105	2		2	COVER-TERMINAL BLOCK INSULATOR (FRONT/REAR)	28480	03458-44105
MP21	5180-0409	0		1	SPRING CLIP	28480	5180-0409
MP25-MP26	1400-0249	0		1	CABLE TIE .062-.625-DIA .091-WD NYL	59730	TY-23M-8
MP35-MP36	1460-1345	5		2	TILT STAND SST	28480	1460-1345
MP41-MP42	5001-0538	8		2	TRIM STRIP-FRONT PANEL SIDES	28480	5001-0538
MP43-MP46	5041-8801	8		4	FOOT	28480	5041-8801
MP47	5041-8802	9		1	TRIM STRIP-FRONT PANEL TOP	28480	5041-8802
MP49-MP50	5041-8819	8		2	CAP-STRAP HANDLE FRONT	28480	5041-8819
MP51-MP52	5041-8820	1		2	CAP-STRAP HANDLE REAR	28480	5041-8820
MP53-MP54	5062-3704	4		2	STRAP HANDLE 18 INCH	28480	5062-3704
	0515-1132	4		4	SCREW-MACH M5 X 0.8 10MM-LG	28480	0515-1132
MP57-MP58	5180-6650	5		2	STANDOFF-HEX, HP1B CONNECTOR MOUNTING	28480	5180-6650
MP59	03458-04702	1		1	PLATE-FRONT TERMINAL BLOCK SUPPORT (FRONT ONLY)	28480	03458-04702
MP62-MP63	03458-62101	0		1	TERMINAL BLOCK ASSEMBLY-VOLT/OHMS INPUT	28480	03458-62101
MP101	03458-81902	0		1	KEYPAD	28480	03458-81902
P1-P3	1251-6583	0		3	CONNECTOR-POST TYPE .156-PIN-SPCG 6-CONTACT	27264	09-78-1067
PC1	8120-1378	1		1	POWER CORD,90 INCH,110V	16428	CH7081
PNL1	03458-60201	3		1	FRONT PANEL ASSEMBLY	28480	03458-60201
	03458-40202	1		1	PANEL-FRONT	28480	03458-40202
	03458-66507	4		1	PC ASSEMBLY-DISPLAY LOGIC	28480	03458-66507
	0624-0681	7		1	SCREW-TPG 4-20 .25-IN-LG PAN-HD TORX T-10	28480	0624-0681
	03458-69302	3		1	WINDOW - FRONT PANEL, SILKSCREENED	28480	03458-69302
	03458-81902	0		1	KEYPAD	28480	03458-81902
	5001-0538	8		2	TRIM STRIP-FRONT PANEL SIDES	28480	5001-0538
	5041-8802	9		1	TRIM STRIP-FRONT PANEL TOP	28480	5041-8802
SHD1	03458-00601	1		1	SHIELD-INGUARD TOP	28480	03458-00601
	0515-1604	4		1	SCREW MACH M3.5 X 0.6 6MM-LG	28480	0515-1604
SHD2	03458-00602	2		1	SHIELD-INGUARD BOTTOM	28480	03458-00602
	0515-1604	4		1	SCREW MACH M3.5 X 0.6 6MM-LG	28480	0515-1604
SHD3	03458-00605	5		1	SHIELD-AIR DEFLECTOR (CLEAR PLASTIC)	28480	03458-00605
SHD4	03458-00607	7		1	SHIELD-A/D, WITH STANDOFFS	28480	03458-00607

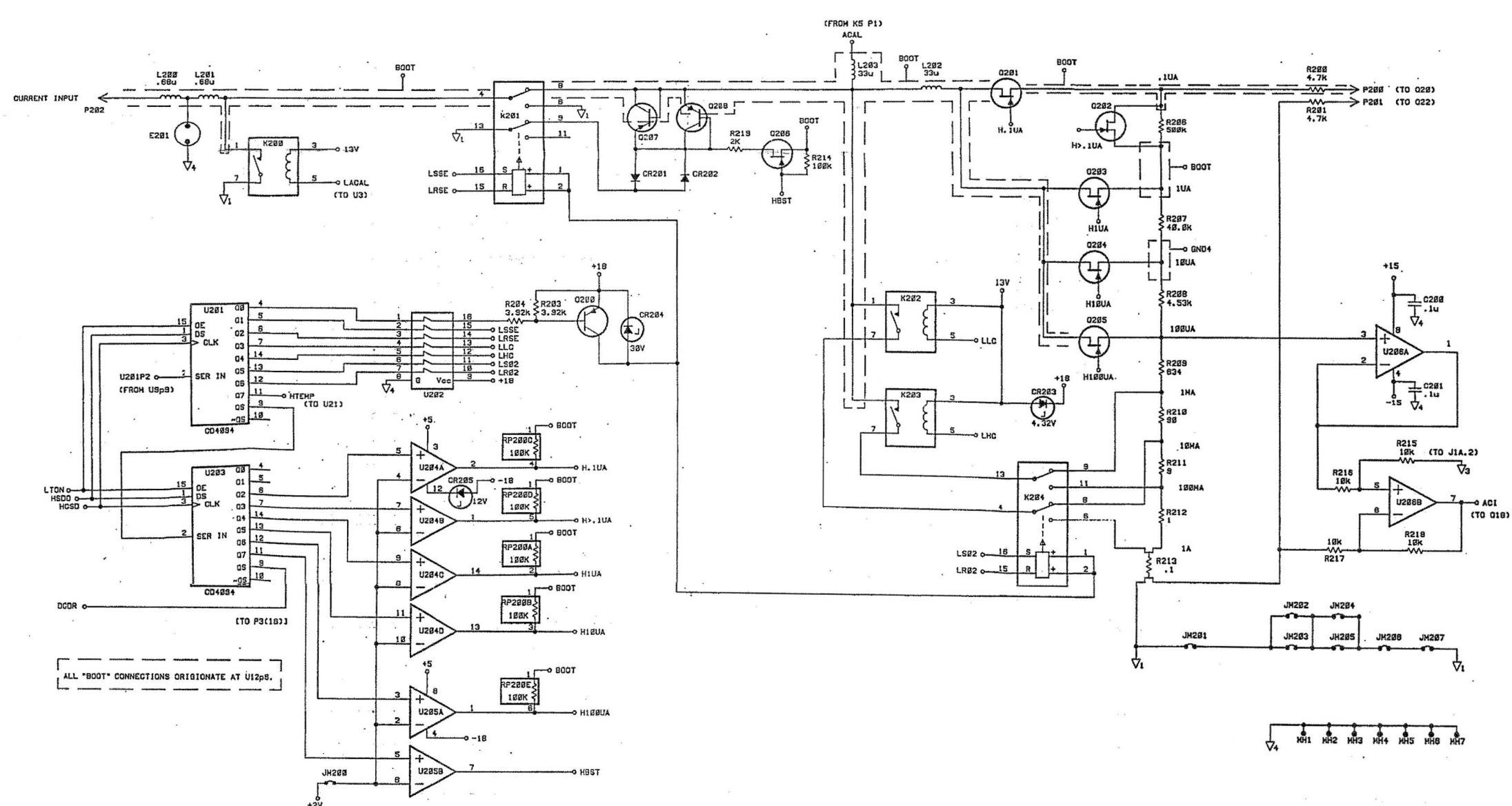
MECHANICAL REPLACEMENT PARTS

Reference Designation	HP Part Number	C	Qty	Part Description	Mfr. Code	Mfr. Part Number	
T1	9100-4715	4	1	TRANSFORMER-POWER 110/120/220/240V	05216	PX4784	
	1252-2450	0	1	CONNECTOR HOUSING, 5-PIN	00779	6411555	
	0390-0006	3	4	INSULATOR-FLANGE-BUSHING NYLON	73734	103304	
	3050-0893	9	4	WASHER-FL MTLCL 4.0 MM 4.4-MM-ID	28480	3050-0893	
	2190-0586	2	4	WASHER-LK HLCL 4.0 MM 4.1-MM-ID	28480	2190-0586	
	0515-1404	1	4	SCREW-MACHINE M4 X 0.7 55MM-LG PAN-HD	28480	0515-1404	
WD1	03458-69302	3	1	WINDOW - FRONT PANEL, SILKSCREENED	28480	03458-69302	
CABLE ASSEMBLIES							
W1-W2	03458-61601	9	2	CABLE ASSEMBLY - 20 PIN	28480	03458-61601	
	1251-5007	1	2	PULL TAB-POST 20/26 CONN	76381	3490-2	
	1251-7584	3	2	CONNECTOR-POST TYPE .100-PIN-SPCG 20-CONT	18873	66900-220	
W3	03458-61602	0	1	CABLE ASSY-EXTERNAL REAR PNL BNC I/O 4 WIRE	28480	03458-61602	
	1251-3476	4	4	CONTACT-CONNECTOR U/W-POST-TYPE FEM CRP	27264	08-50-0113	
	1251-7111	2	1	CONNECTOR-PST TYPE BODY 4P,MOLEX 22-01-3047	27264	22-01-3047	
W4-W5	03458-61625	7	2	CABLE ASSY-VOLTS, OHMS, CURRENT INPUT	28480	03458-61625	
	0362-0013	3	2	SLEEVE-METAL .179-IN-OD CU PRP	59730	GSC-149	
	0362-0037	1	2	SLEEVE-METAL .096-IN-OD BRZ GRN	59730	GSB 071	
	0362-0227	1	1	CONNECTOR-SGL CONT SKT 1.14-MM-BSC-SZ	27264	02-05-5216	
	0362-0265	7	4	CONNECTOR-SGL CONT SKT 1.14-MM-BSC-SZ	27264	02-05-5204	
	1252-1640	2	1	CONNECTOR-SGL CONTACT CRIMP/BUTTON	00779	505034-2	
	1460-0295	2	1	SPRING-CPRSN .24-IN-OD .875-IN-OA-LG MUW	84830	LC-024C-9-MW	
	9170-1218	4	1	CORE-TOROID	34899	5943000601	
	W6	03458-61626	8	1	CABLE ASSY-COAXIAL (A1P8-P9 TO A10BC-WC)	28480	03458-61626
	W9-W12	03458-61603	1	4	CABLE ASSY-FIBER OPTIC	28480	03458-61603
W15	8120-4328	7	1	WIRE-BROWN (A1J2PIN2 TO A10BRN)	28480	8120-4328	
W16	8120-4323	2	1	WIRE-BLACK (A1J2PIN1 TO A10BLK)	28480	8120-4323	
W17	8120-5198	5	1	JUMPER-YELLOW (A1P202 TO A10YC)	28480	8120-5198	
W18	8120-5199	6	1	JUMPER-GREY (A1P6 TO A10GC)	28480	8120-5199	
W19	8120-5200	7	1	JUMPER-ORANGE (A1P7 TO A10OC)	28480	8120-5200	
W20-W21	8120-5201	9	2	JUMPER-BLUE (INPUT TERMINAL GUARD)	28480	8120-5201	
A1W2	03458-61626	8	2	CABLE ASSEMBLY-COAXIAL (A1P1-P2 TO A1P200-P201)	28480	03458-61626	
A1W100	03458-61626	8	2	CABLE ASSEMBLY-COAXIAL (A1P4-P5 TO A1P101-P102)	28480	03458-61626	
A4W1	03458-61604	2	1	CABLE ASSEMBLY - INGUARD POWER SUPPLY	28480	03458-61604	
A7W1	03458-61605	3	1	CABLE ASSEMBLY - RIBBON, 26 PIN	28480	03458-61605	
INPUT TERMINAL BLOCK ASSEMBLY (FRONT & REAR)							
MP62-MP63	03458-62101	0	2	TERMINAL BLOCK ASSEMBLY-INPUT SIGNAL (FRONT/REAR)	28480	03458-62101	
MP55-MP56	03458-67902	9	2	TERMINAL-FUSED CURRENT INPUT (FRONT/REAR)	28480	03458-67902	
MP14-MP15	03458-44105	2	2	COVER-TERMINAL BLOCK INSULATOR (FRONT/REAR)	28480	03458-44105	
MP59	03458-04702	1	1	PLATE-FRONT TERMINAL BLOCK SUPPORT (FRONT ONLY)	28480	03458-04702	
	0624-0681	7	2	SCREW-TPG 4-20 .25-IN-LG PAN-HD-TORX (FRONT ONLY)	28480	0624-0681	
	0624-0445	1	2	SCREW-TPG 4-20 .5-IN-LG PAN-HD-POZI (FRONT ONLY)	28480	0624-0445	
	0624-0403	1	2	SCREW-TPG 6-19 .375-IN-LG PAN-HD-POZI REAR ONLY)	93907	224-21861-382	

REV	DESCRIPTION	DATE	APPROVED	DATE
B	ADD W3	ERC 2906	PCO 27877	
C	PCO: 09-28020 REMOVE TP12, JM2, JM3 ON PAGE 4	19-MAY-89	ERC: 29.	

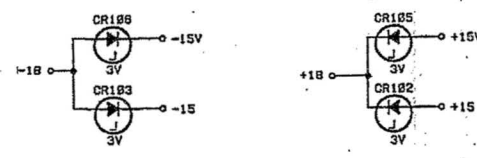
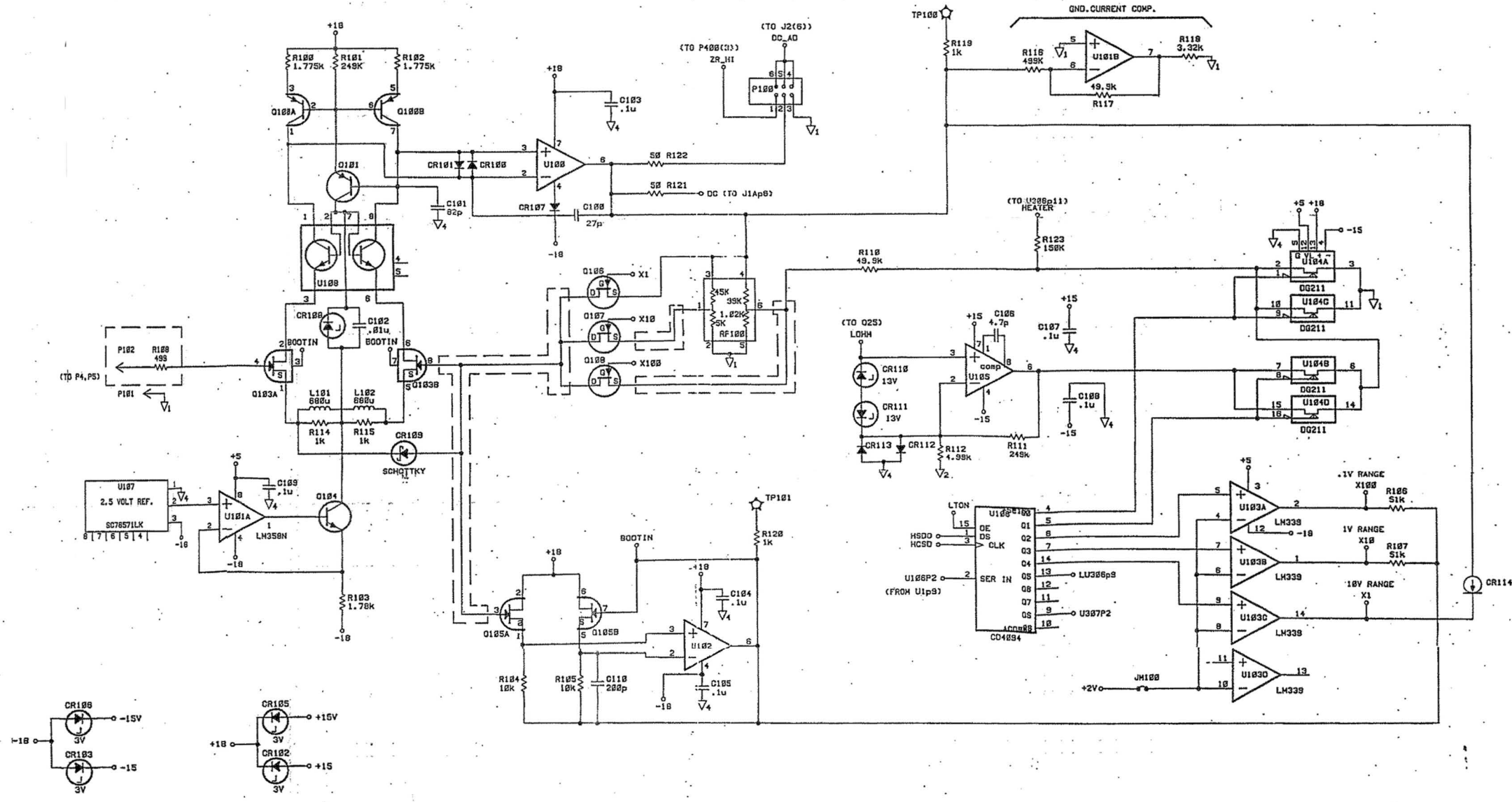


ITEM	QTY	C5881W1	PART/MATERIAL-DESCRIPTION	MAT'L-PART NO.	MAT'L-DWG. NO.	MAT'L-SPEC.
DRAWN BY		22-FEB-89	SENTRY INPUT RELAY SWITCHING	HEWLETT PACKARD PART NUMBER 03458-66501		
ENGINEER/CHECKER		DATE				
RELEASE TO PROD.		19-MAY-89	TITLE	SCALE		
C1-REVB SUPERSEDES DWG.			SHEET 1 OF 5	C - 03458 - 66501 - 1		



ITEM	QTY	C5881W2	PART/MATERIAL-DESCRIPTION	MAT'L-PART NO.	MAT'L-DWG. NO.	MAT'L-SPEC.
DRAWN BY		22-FEB-89	SENTRY CURRENT SHUNTS	HEWLETT PACKARD		
ENGINEER/CHECKER				PART NUMBER 03458-66501		
RELEASE TO PROD.		19-MAY-89	TITLE	SCALE		
C1-REVB SUPERSEDES DWG.				SHEET 2 OF 5		
				C - 03458 - 66501 - 1		

SYN	REVISIONS	APPROVED	DATE
B	ADD W3 ERC 2906 PCD 27077		
C	PCD: 09-28020 19-MAY-89 ERC:29 REMOVE TP12, JM2, JM3 ON PAGE 4		



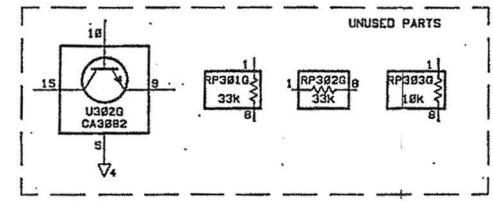
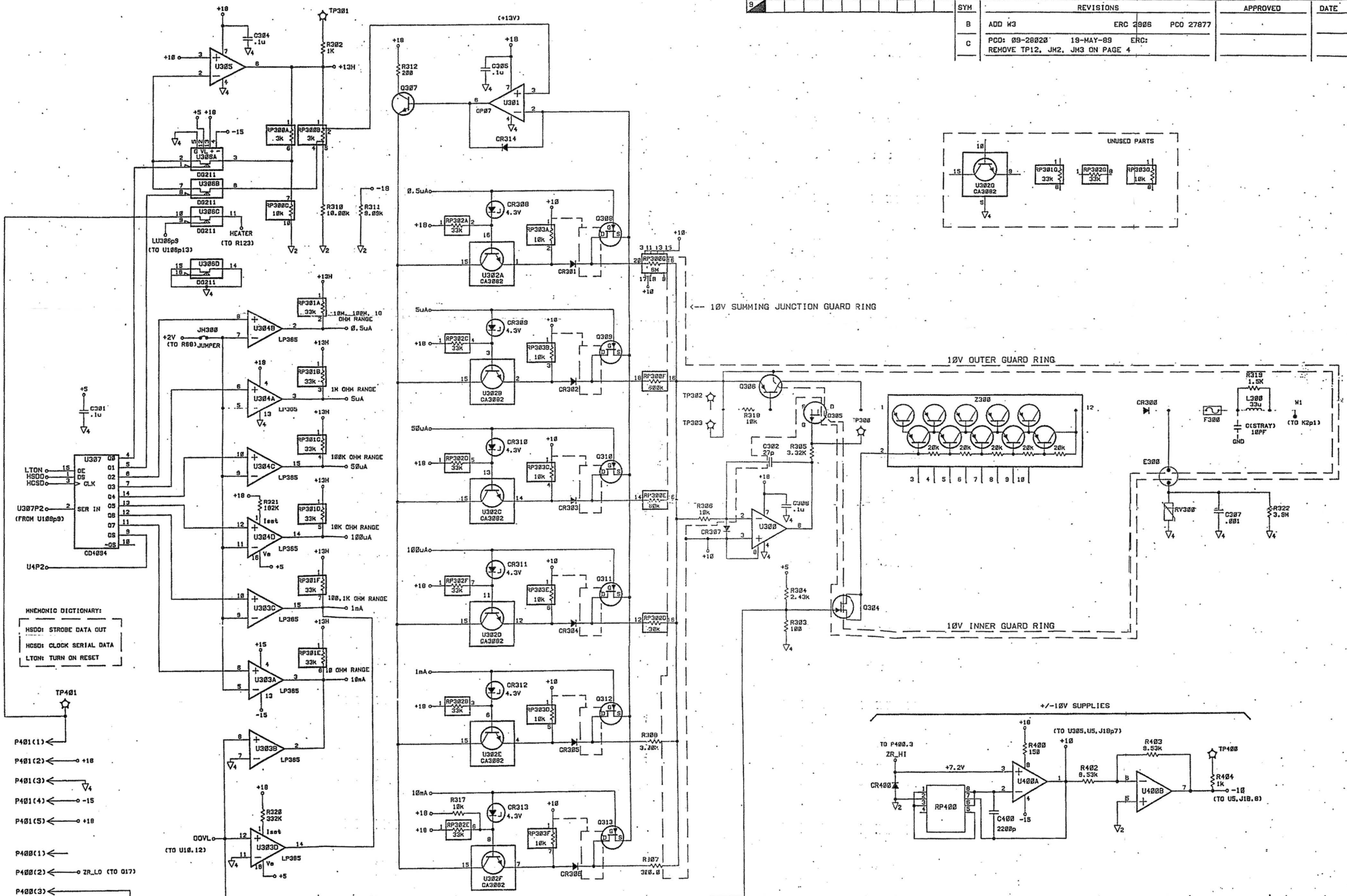
NOTE:
GUARD RINGS CONNECT TO BOOTIN

ITEM	QTY	C5801W3 PART/MATERIAL-DESCRIPTION	MAT'L-PART NO.	MAT'L-DWG. NO.	MAT'L-SPEC.
DRAWN BY		DATE	SENTRY DC INPUT AMPLIFIER		
ENGINEER/CHECKER			TITLE		
RELEASE TO PROD.			SCALE		
C1-REV8		19-MAY-89	SHEET 3 OF 5		
SUPERSEDES DWG.			C - 03458 - 66501 - 1		



PART NUMBER 03458-66501

SYM	REVISIONS		APPROVED	DATE
	ADD #3	ERC 2986 PCD 27877		
B	PCD: 09-28828	19-MAY-89	ERC:	
C	REMOVE TP12, JM2, JM3 ON PAGE 4			

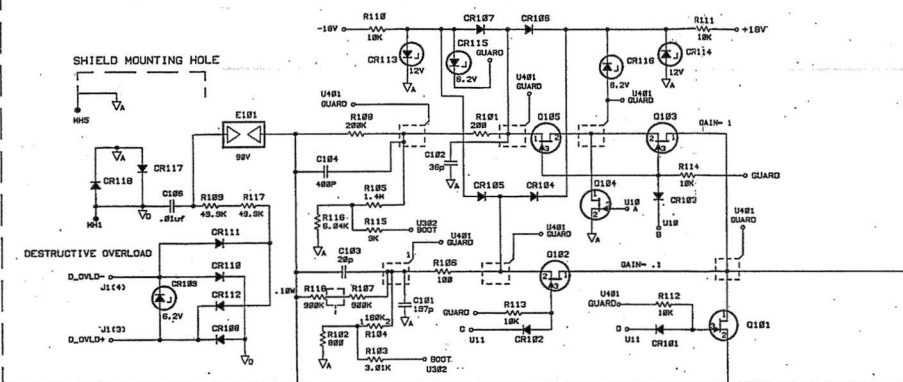


MEMORIC DICTIONARY:
 HSD0: STROBE DATA OUT
 HCS0: CLOCK SERIAL DATA
 LTON: TURN ON RESET

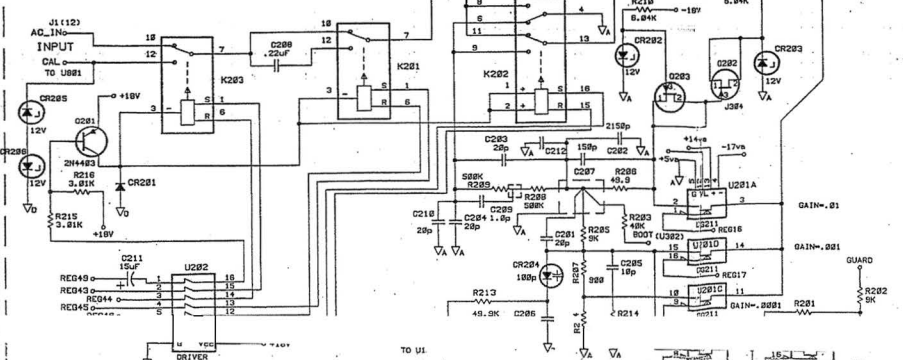
- P401(1) ← TP401
- P401(2) ← +18
- P401(3) ← V4
- P401(4) ← -15
- P401(5) ← +18
- P400(1) ←
- P400(2) ← ZR_LO (TO Q17)
- P400(3) ←
- P400(4) ← V2

ITEM	QTY	C5801WS	PART/MATERIAL-DESCRIPTION	MAT'L-PART NO.	MAT'L-DWG. NO.	MAT'L-SPEC.
DRAWN BY		22-FEB-89		SENTRY OHMS CIRCUIT		
ENGINEER/CHECKER				HP HEWLETT PACKARD		
RELEASE TO PROD.		19-MAY-89		PART NUMBER 03458-66501		
C1-REVB SUPERSEDES DWG.		SCALE		SHEET 9 OF 5 C-03458-66501-1		

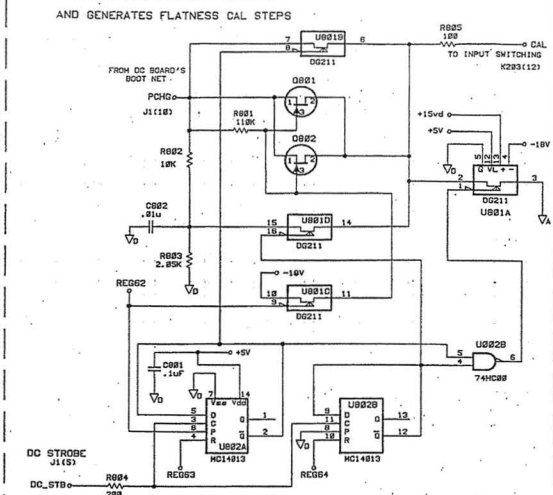
LOW VOLTAGE ATTENUATORS



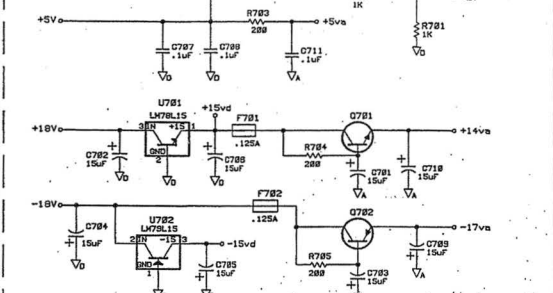
HIGH VOLTAGE ATTENUATORS AND INPUT SWITCHING



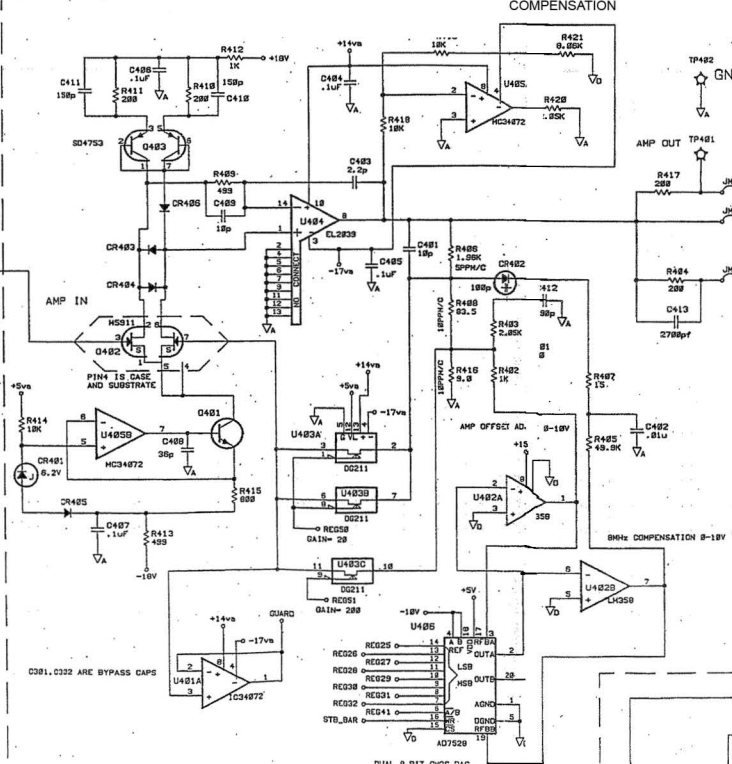
CALIBRATION



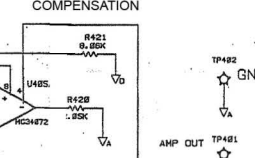
POWER SUPPLIES



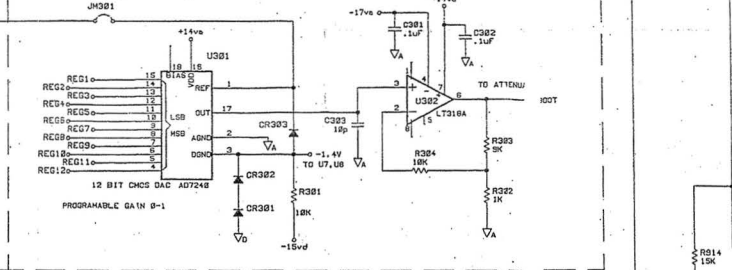
MAIN AMPLIFIER



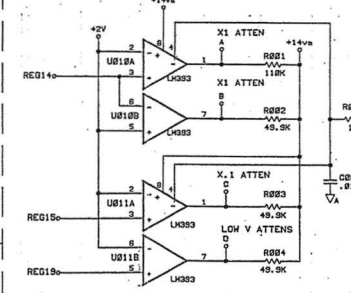
GROUND CURRENT COMPENSATION



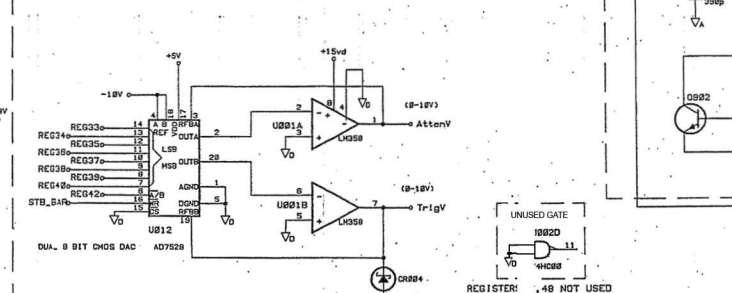
ATTEN FLATNESS COMPENSATION



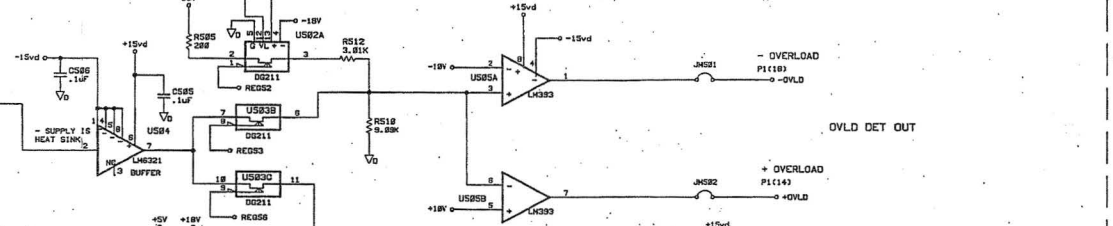
DRIVE FOR LOW VOLTAGE ATTENUATORS



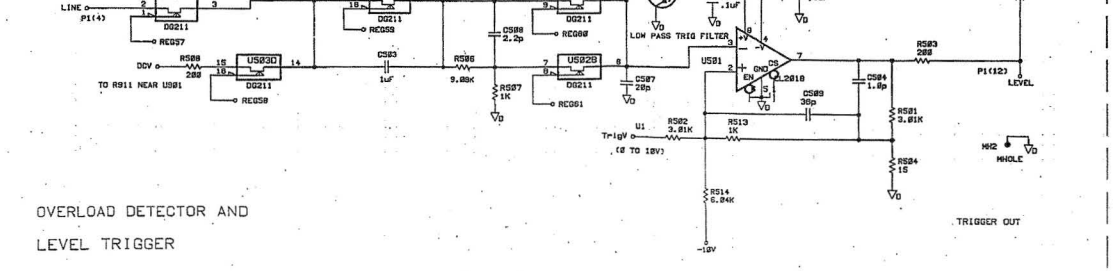
TRIGGER LEVEL SELECT; X.001 ATTEN 2MHz COMP



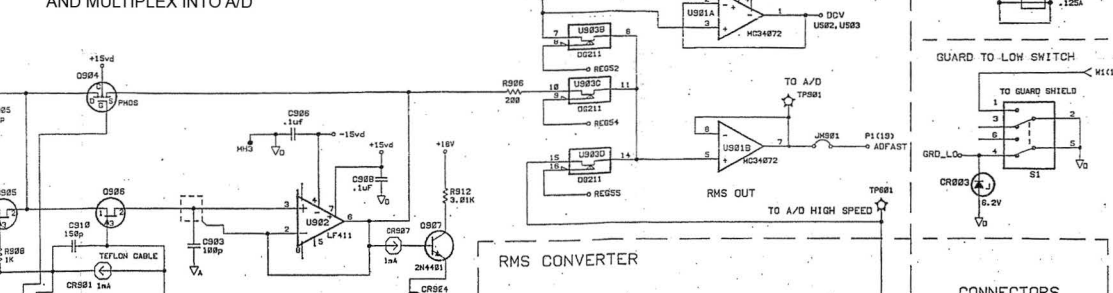
LINE FREQ



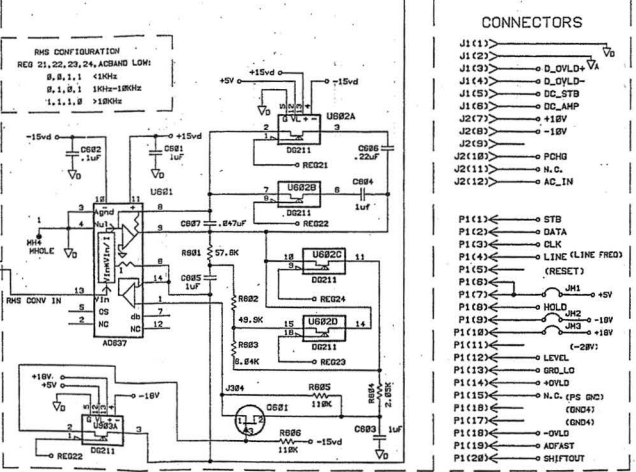
OVERLOAD DETECTOR AND LEVEL TRIGGER



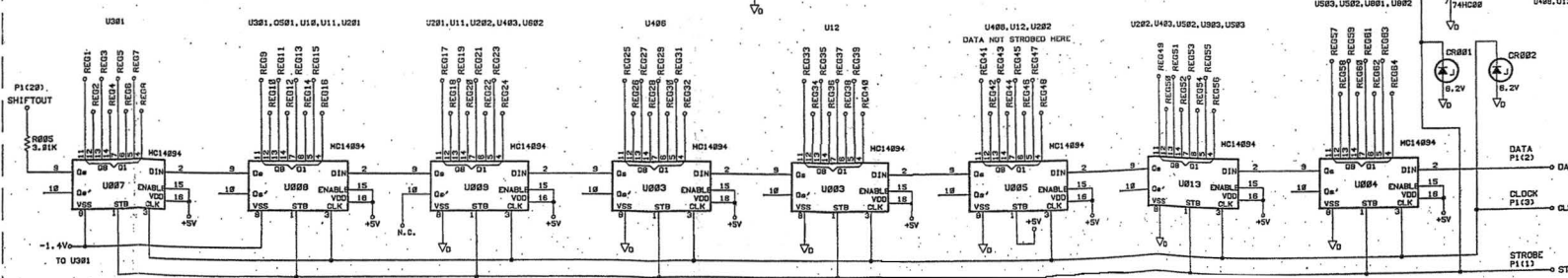
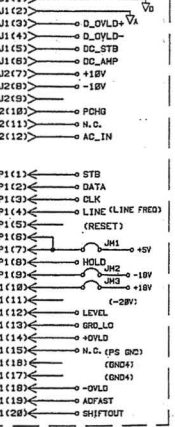
TRACK / HOLD AND MULTIPLEX INTO A/D



RMS CONVERTER



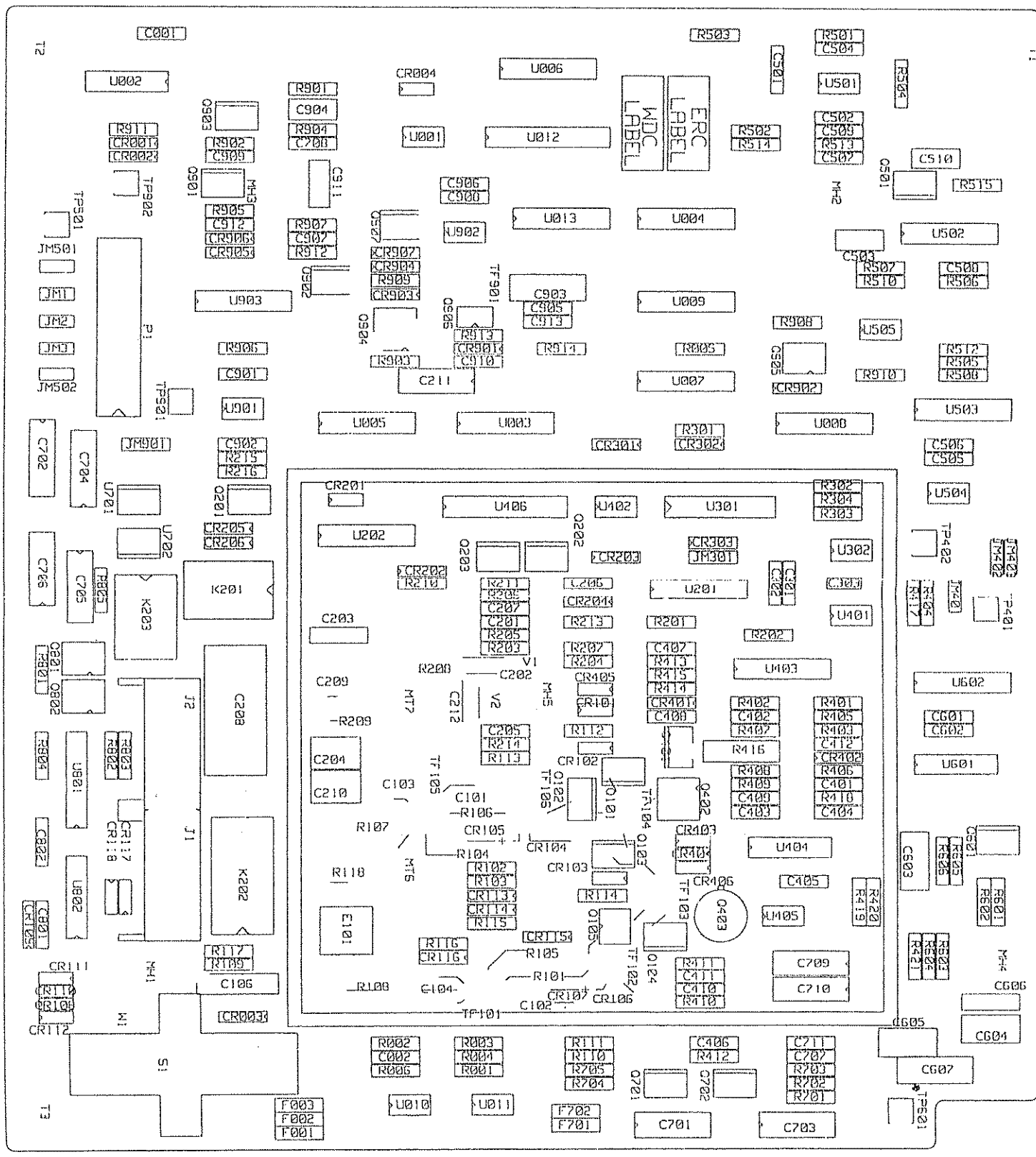
CONNECTORS



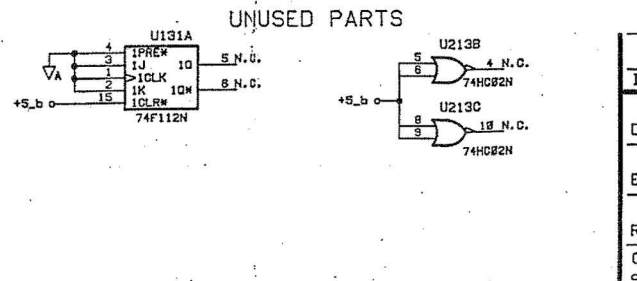
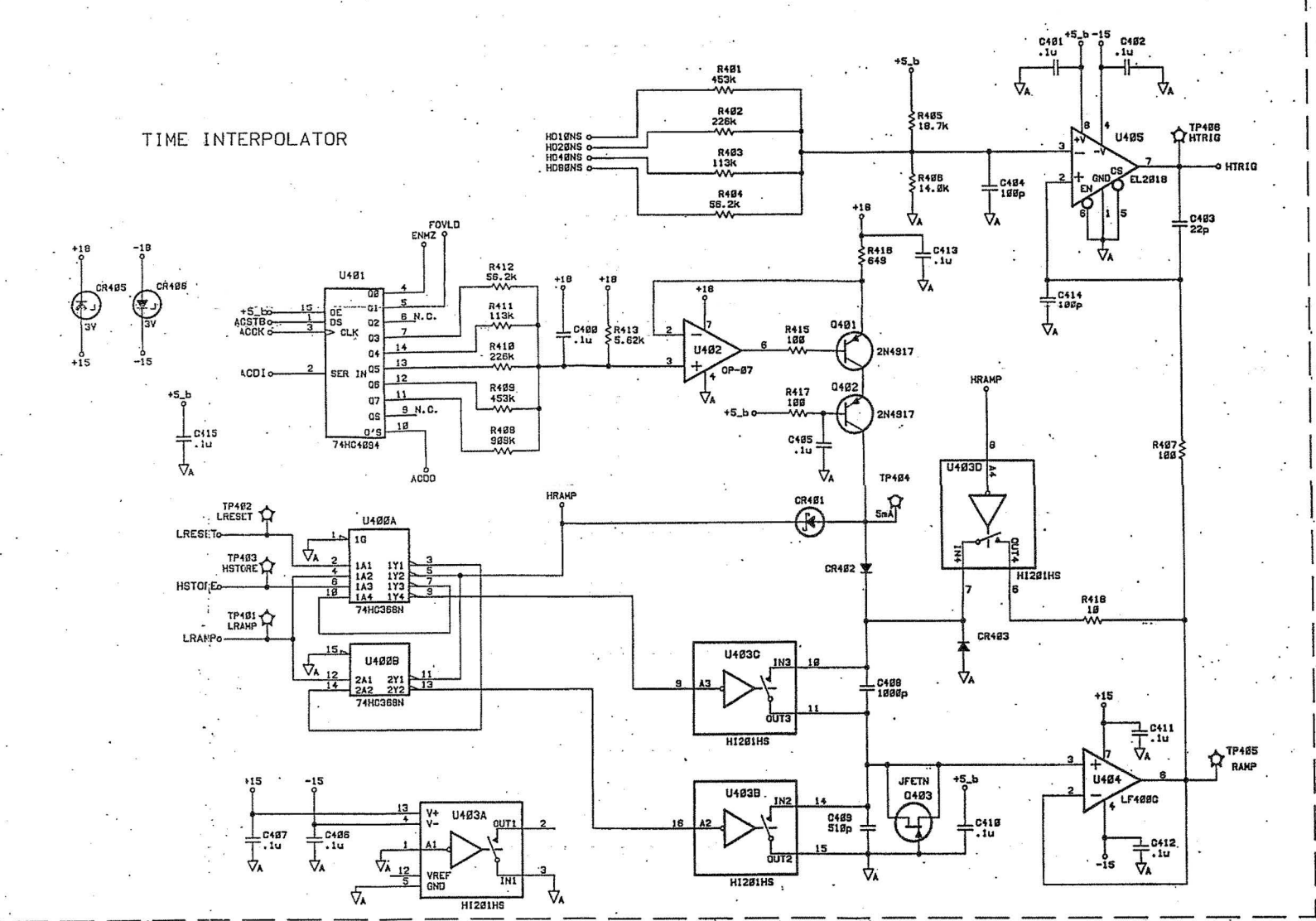
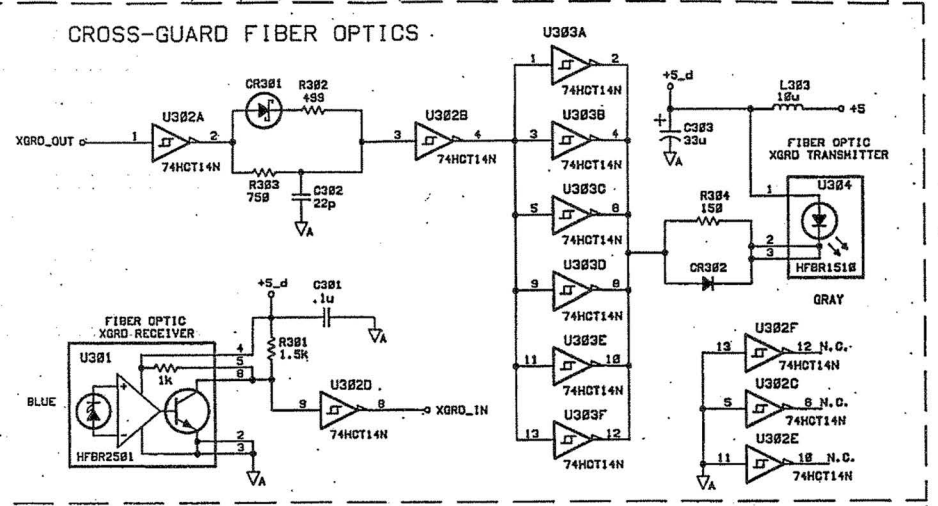
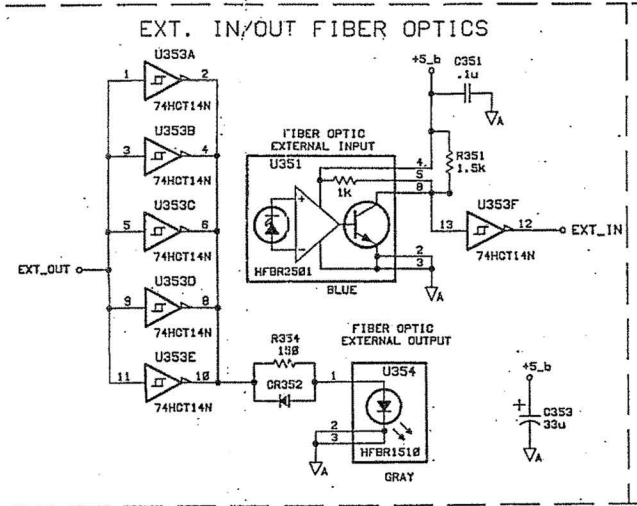
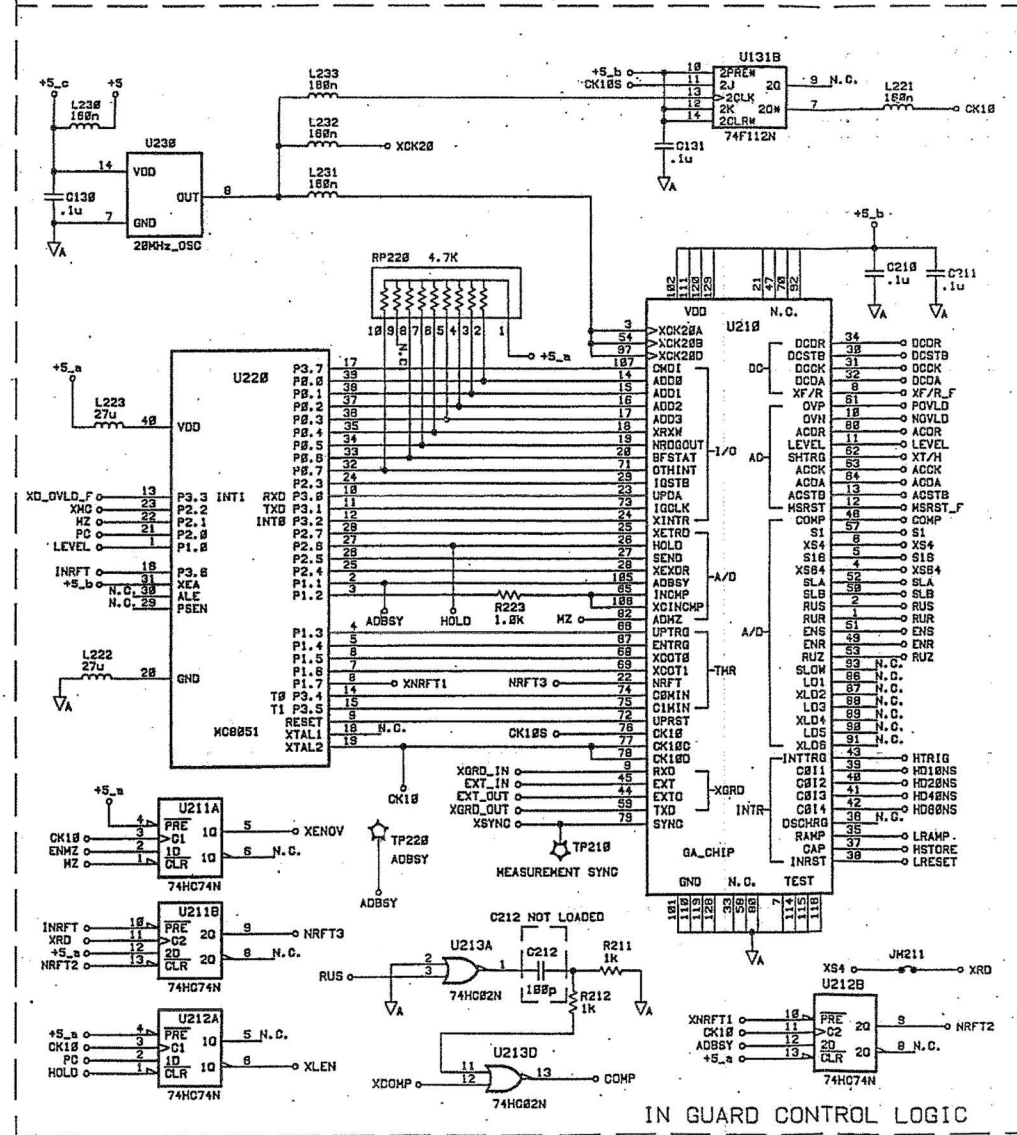
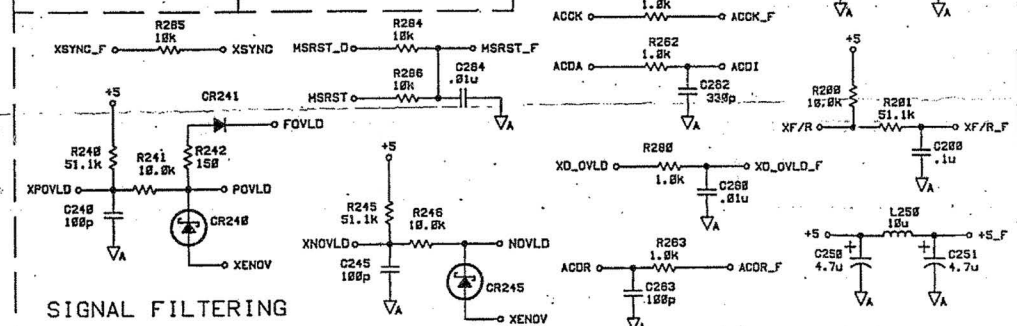
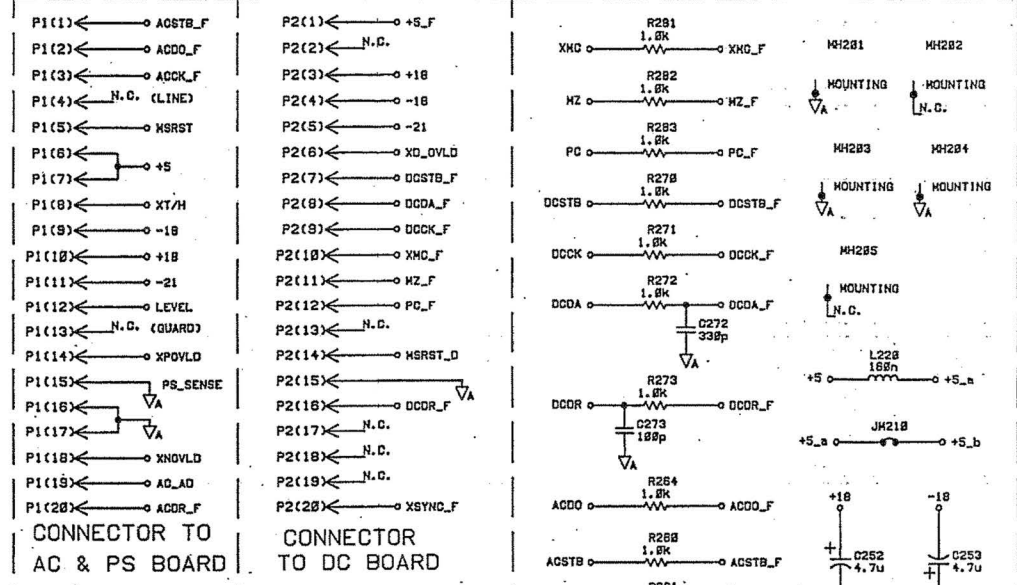
ITEM	QTY	PART/MATERIAL-DESCRIPTION	MAT'L-PART NO.	MAT'L-DWG. NO.	MAT'L-SPEC.
DRAWN BY: [Name] DATE: 23-APR-88					
ENGINEER/CHECKER: [Name]					
RELEASE TO PROD. DATE: 2-AUG-88					
TITLE: 03458A AC SECTION			PART NUMBER: 03458-66502		

ENGINEERING RESPONSIBILITY	SEP1A	DATE
SYN	REVISIONS	APPROVED
D	CHANGE F802, F803, F701, F702 FROM HPPN-2118-8757 TO 2118-8771, PCD 89-28814	ERC
D	CHANGE R810 TO 100ohm, CH U481 TO 1029-1539 PCD 89-28859	ERC

D - 03458 - 66502 - 1



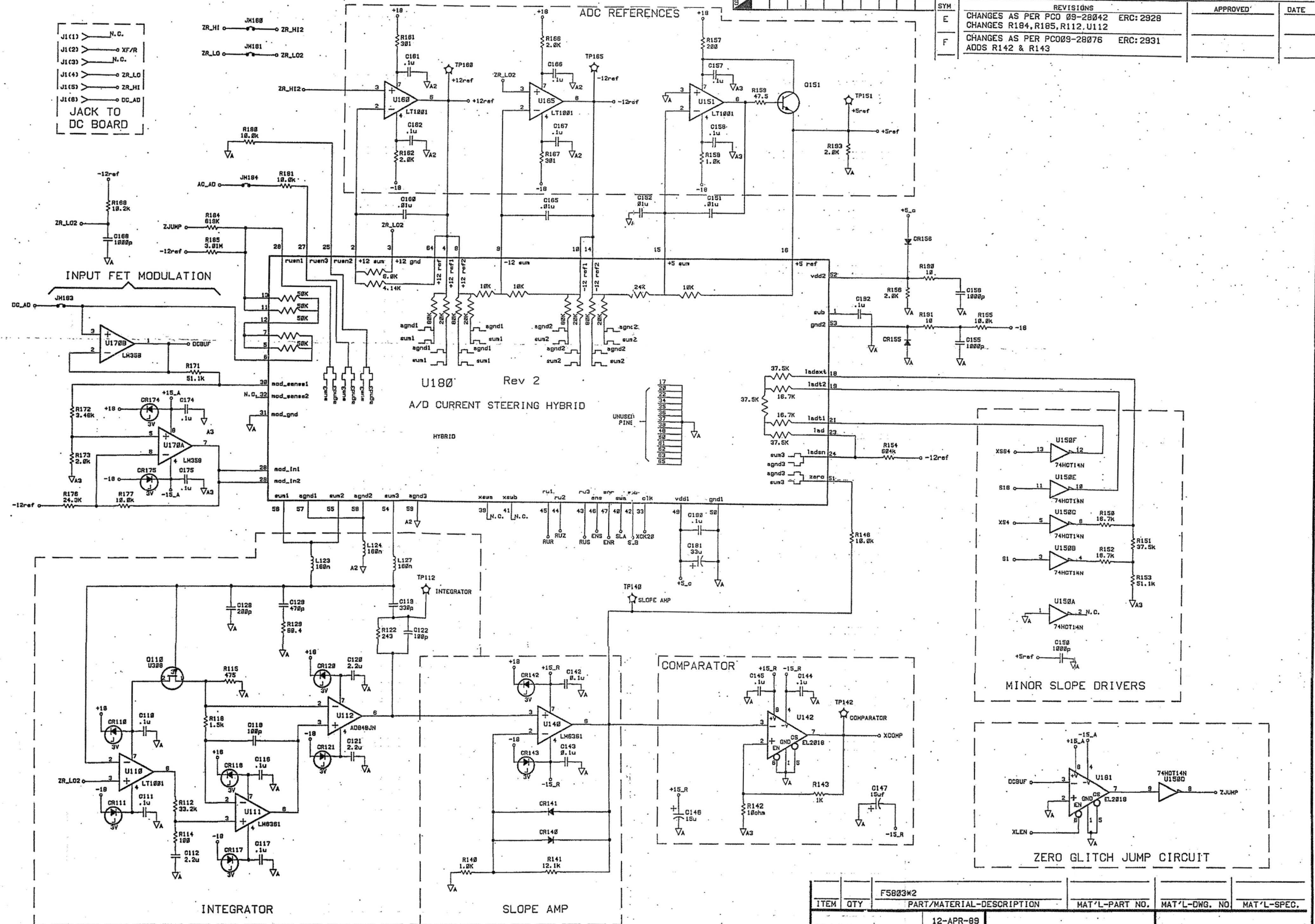
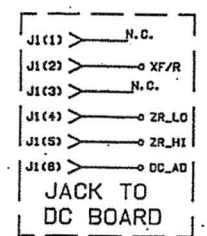
SYM	REVISIONS	APPROVED	DATE
E	CHANGES AS PER PCO 09-28042 ERC:2928 CHANGES R184, R185, R112, U112		
F	CHANGES AS PER PC009-28076 ERC:2931 ADDS R142 & R143		



ITEM	QTY	F5803*1	PART/MATERIAL-DESCRIPTION	MAT'L-PART NO.	MAT'L-DWG. NO.	MAT'L-SPEC.
DRAWN BY		12-APR-89		3458A		
ENGINEER/CHECKER		DATE		IN-GRD CTL & INTERPOLATOR		
RELEASE TO PROD.		02-AUG-89		TITLE		
G1-REVE		SUPERSEDES DWG.		SCALE		
		SHEET 1 of 2		C-03458-66503-1		



SYM	REVISIONS	APPROVED	DATE
E	CHANGES AS PER PCO 09-28042 CHANGES R184, R185, R112, U112		
F	CHANGES AS PER PCO09-28076 ADDS R142 & R143		

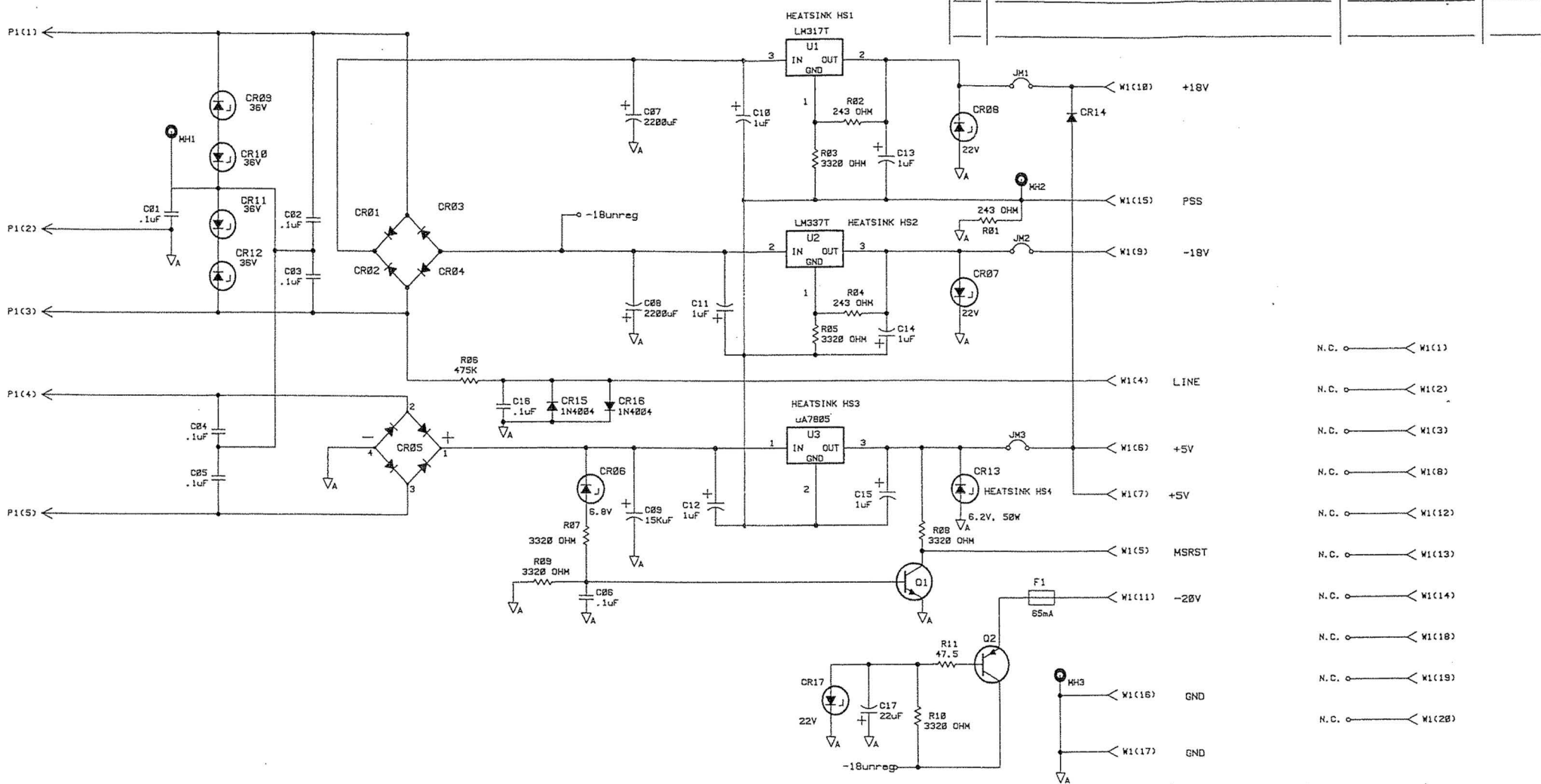


ITEM	QTY	F5803*2	PART/MATERIAL-DESCRIPTION	MAT'L-PART NO.	MAT'L-DWG. NO.	MAT'L-SPEC.
DRAWN BY		12-APR-89		A/D CIRCUIT TITLE PART NUMBER C- 03458 - 66503-1		
ENGINEER/CHECKER		DATE				
RELEASE TO PROD.		2-AUG-89				
C1-REVE		SUPERSEDES DWG.				
SCALE		SHEET 2 OF 2				



03458-66503-1
PART NUMBER

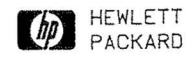
SYH	REVISIONS	APPROVED	DATE
B	ADD R11 47.5 ohm		1/11/88



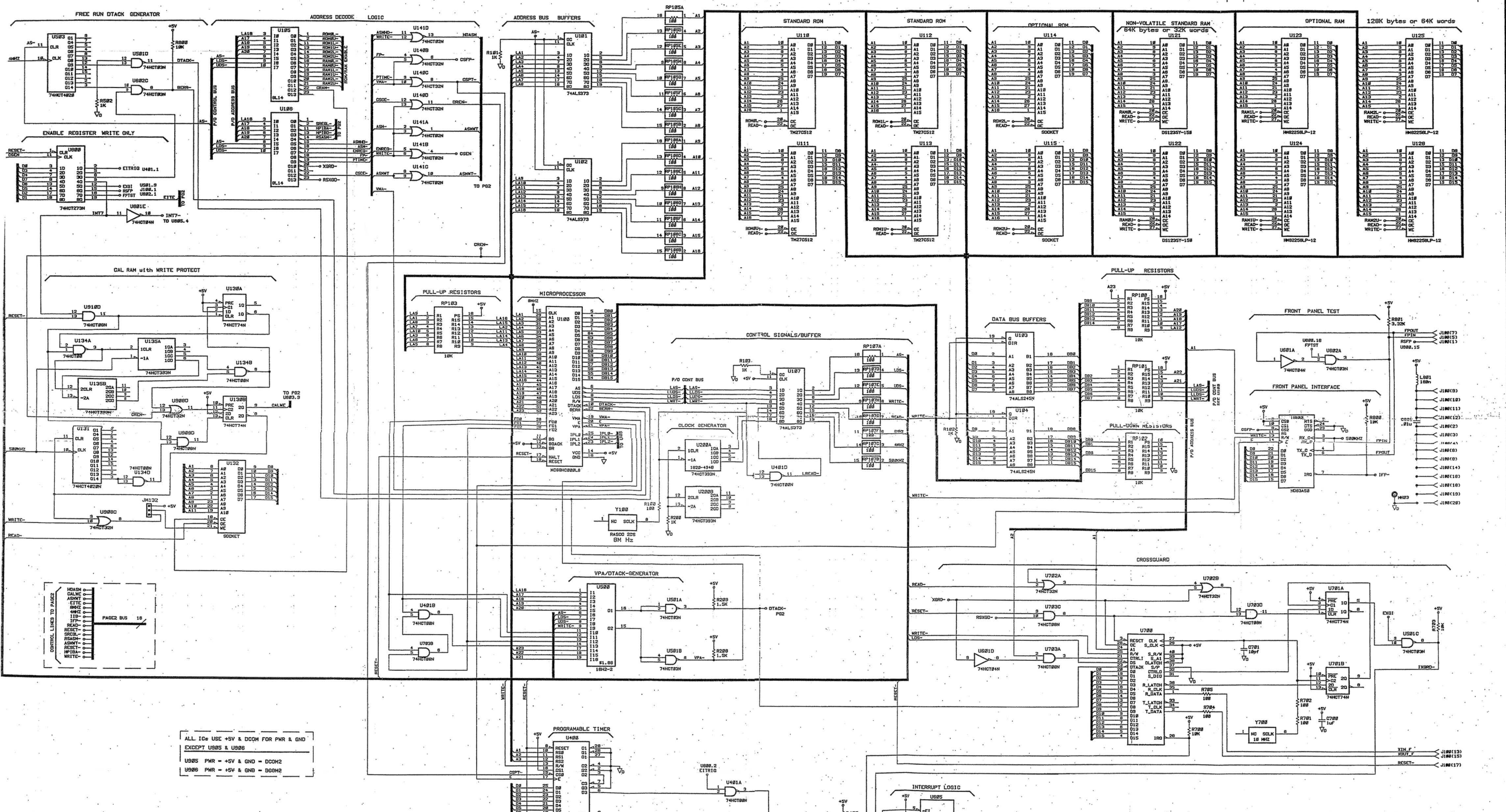
NOTES:

1. CR1-CR5, CR7, CR8, CR13 NEED TRACE HEAT SINKS
2. UNLESS NOTED OTHERWISE, TRACES 20 mils
3. GROUNDS SHOULD BE 50 mils
4. CR5, CR7, CR8, CR13 NEED BARE COPPER UNDER PART

ITEM	QTY	PART/MATERIAL-DESCRIPTION	MAT'L-PART NO.	MAT'L-DWG. NO.	MAT'L-SPEC.
DRAWN BY		DATE		INGAUDR POWER SUPPLY	
ENGINEER/CHECKER					
RELEASE TO PROD.		TITLE		PART NUMBER 03458-66504	
B1 REV A SUPERSEDES DWG.		11-NQV-88		SCALE SHEET 1 OF 1	

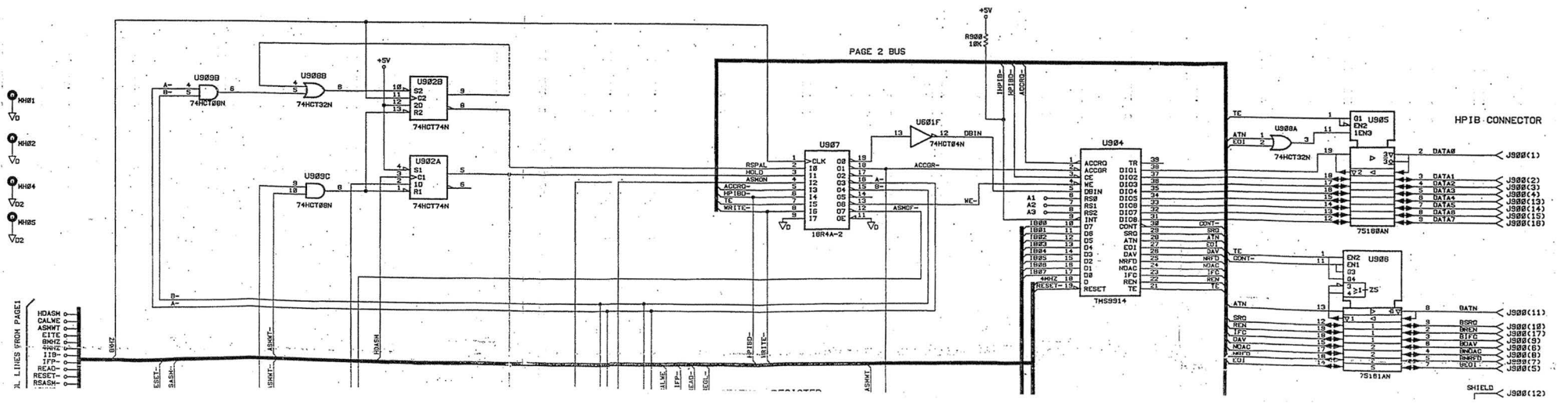
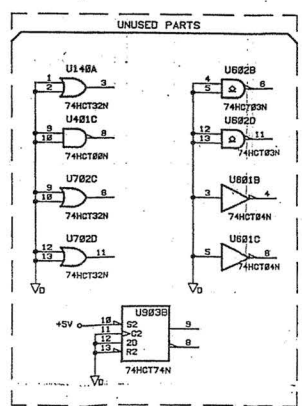
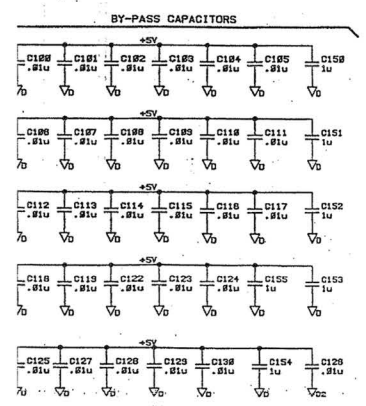


03458-66504



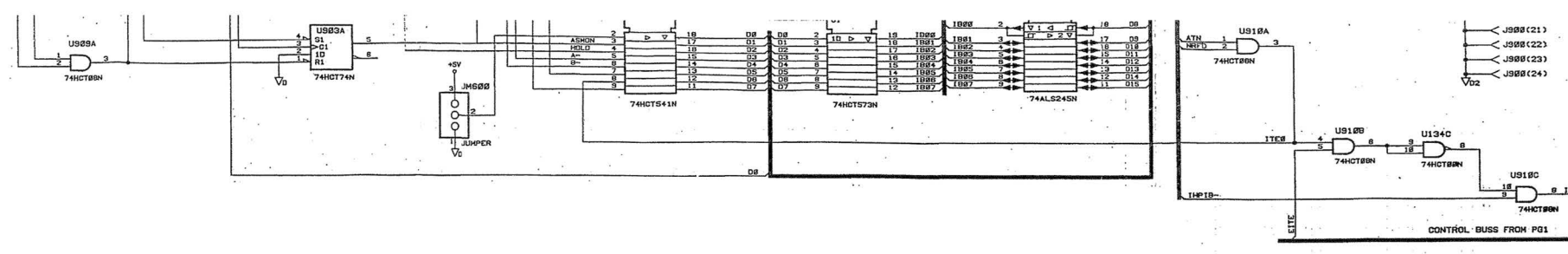
ALL ICs USE +5V & DDDM FOR PWR & GND EXCEPT US85 & US86
 US85 PWR = +5V & GND = DDDH2
 US86 PWR = +5V & GND = DDDH2

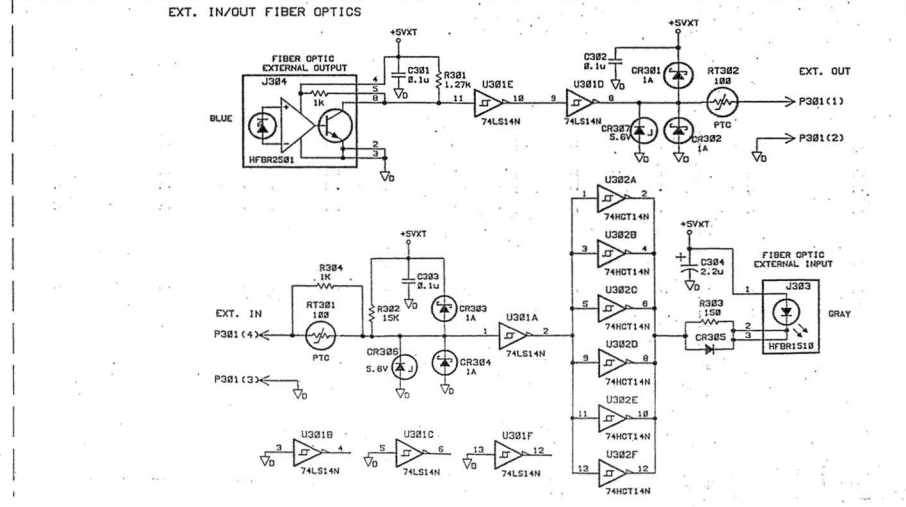
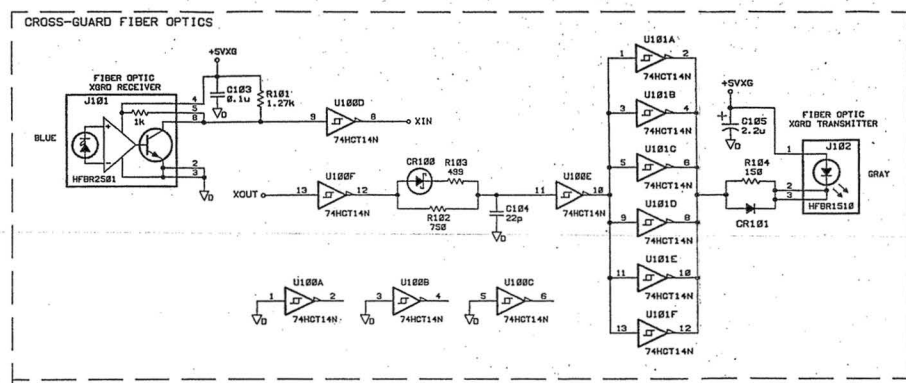
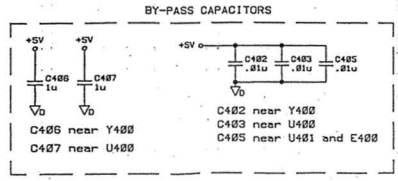
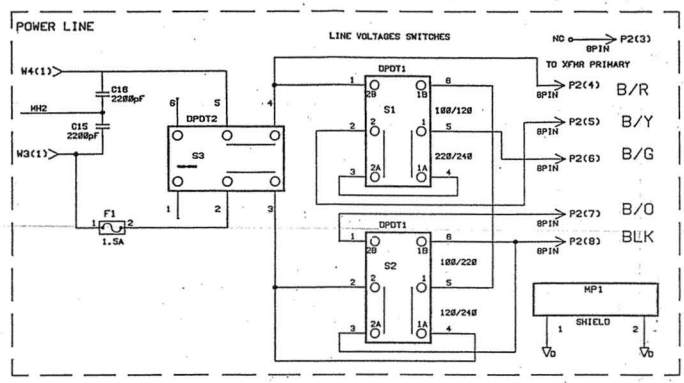
ITEM	QTY	ASSEMBLY	PART/MATERIAL-DESCRIPTION	MAT'L-PART NO.	MAT'L-DWG. NO.	MAT'L-SPEC.
DRAWN BY		DATE	2-FEB-88	OUTGARD CONTROLLER BOARD		 HEWLETT PACKARD
ENGINEER/CHECKER				TITLE		
RELEASE TO PROD.				PART NUMBER		83458-66585
SUPERSEDES DWG.				SCALE		PART NUMBER
				SHEET 1 OF 2		03458 - 66505 - 1



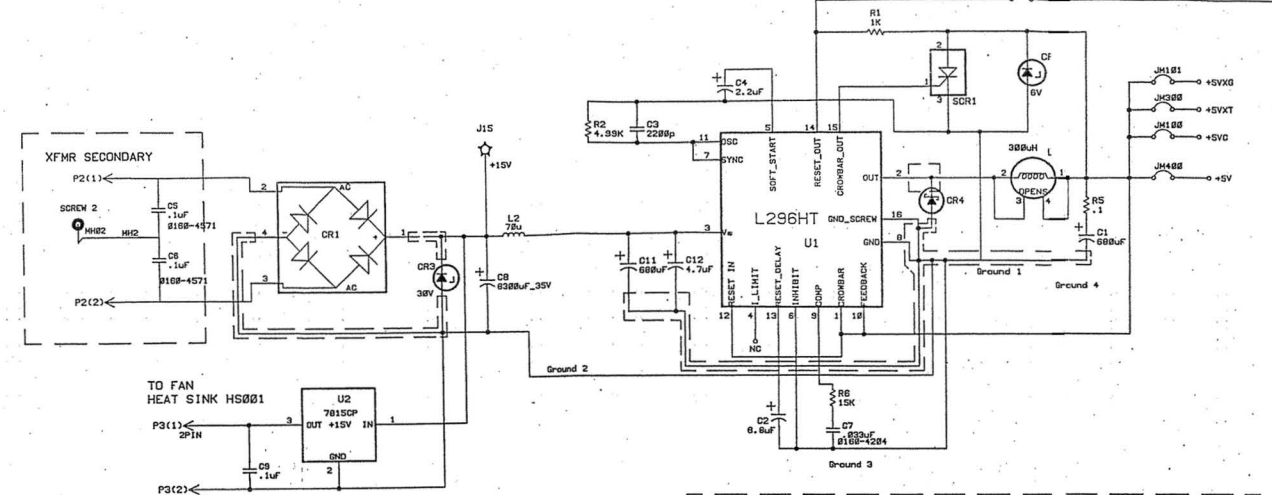
PINS CONNECTED TO EMBEDDED POWER/GROUND NETS:

U189	48(+5V)	23(C00M)
U181	18(C00M)	28(+5V)
U182	18(C00M)	28(+5V)
U183	18(C00M)	28(+5V)
U184	18(C00M)	28(+5V)
U185	18(C00M)	28(+5V)
U186	18(C00M)	28(+5V)
U187	18(C00M)	28(+5V)
U188	18(C00M)	28(+5V)
U189	18(C00M)	28(+5V)
U190	18(C00M)	28(+5V)
U191	18(C00M)	28(+5V)
U192	18(C00M)	28(+5V)
U193	18(C00M)	28(+5V)
U194	18(C00M)	28(+5V)
U195	18(C00M)	28(+5V)
U196	18(C00M)	28(+5V)
U197	18(C00M)	28(+5V)
U198	18(C00M)	28(+5V)
U199	18(C00M)	28(+5V)
U200	18(C00M)	28(+5V)
U201	18(C00M)	28(+5V)
U202	18(C00M)	28(+5V)
U203	18(C00M)	28(+5V)
U204	18(C00M)	28(+5V)
U205	18(C00M)	28(+5V)
U206	18(C00M)	28(+5V)
U207	18(C00M)	28(+5V)
U208	18(C00M)	28(+5V)
U209	18(C00M)	28(+5V)
U210	18(C00M)	28(+5V)
U211	18(C00M)	28(+5V)
U212	18(C00M)	28(+5V)
U213	18(C00M)	28(+5V)
U214	18(C00M)	28(+5V)
U215	18(C00M)	28(+5V)
U216	18(C00M)	28(+5V)
U217	18(C00M)	28(+5V)
U218	18(C00M)	28(+5V)
U219	18(C00M)	28(+5V)
U220	18(C00M)	28(+5V)
U221	18(C00M)	28(+5V)
U222	18(C00M)	28(+5V)
U223	18(C00M)	28(+5V)
U224	18(C00M)	28(+5V)
U225	18(C00M)	28(+5V)
U226	18(C00M)	28(+5V)
U227	18(C00M)	28(+5V)
U228	18(C00M)	28(+5V)
U229	18(C00M)	28(+5V)
U230	18(C00M)	28(+5V)
U231	18(C00M)	28(+5V)
U232	18(C00M)	28(+5V)
U233	18(C00M)	28(+5V)
U234	18(C00M)	28(+5V)
U235	18(C00M)	28(+5V)
U236	18(C00M)	28(+5V)
U237	18(C00M)	28(+5V)
U238	18(C00M)	28(+5V)
U239	18(C00M)	28(+5V)
U240	18(C00M)	28(+5V)
U241	18(C00M)	28(+5V)
U242	18(C00M)	28(+5V)
U243	18(C00M)	28(+5V)
U244	18(C00M)	28(+5V)
U245	18(C00M)	28(+5V)
U246	18(C00M)	28(+5V)
U247	18(C00M)	28(+5V)
U248	18(C00M)	28(+5V)
U249	18(C00M)	28(+5V)
U250	18(C00M)	28(+5V)
U251	18(C00M)	28(+5V)
U252	18(C00M)	28(+5V)
U253	18(C00M)	28(+5V)
U254	18(C00M)	28(+5V)
U255	18(C00M)	28(+5V)
U256	18(C00M)	28(+5V)
U257	18(C00M)	28(+5V)
U258	18(C00M)	28(+5V)
U259	18(C00M)	28(+5V)
U260	18(C00M)	28(+5V)
U261	18(C00M)	28(+5V)
U262	18(C00M)	28(+5V)
U263	18(C00M)	28(+5V)
U264	18(C00M)	28(+5V)
U265	18(C00M)	28(+5V)
U266	18(C00M)	28(+5V)
U267	18(C00M)	28(+5V)
U268	18(C00M)	28(+5V)
U269	18(C00M)	28(+5V)
U270	18(C00M)	28(+5V)
U271	18(C00M)	28(+5V)
U272	18(C00M)	28(+5V)
U273	18(C00M)	28(+5V)
U274	18(C00M)	28(+5V)
U275	18(C00M)	28(+5V)
U276	18(C00M)	28(+5V)
U277	18(C00M)	28(+5V)
U278	18(C00M)	28(+5V)

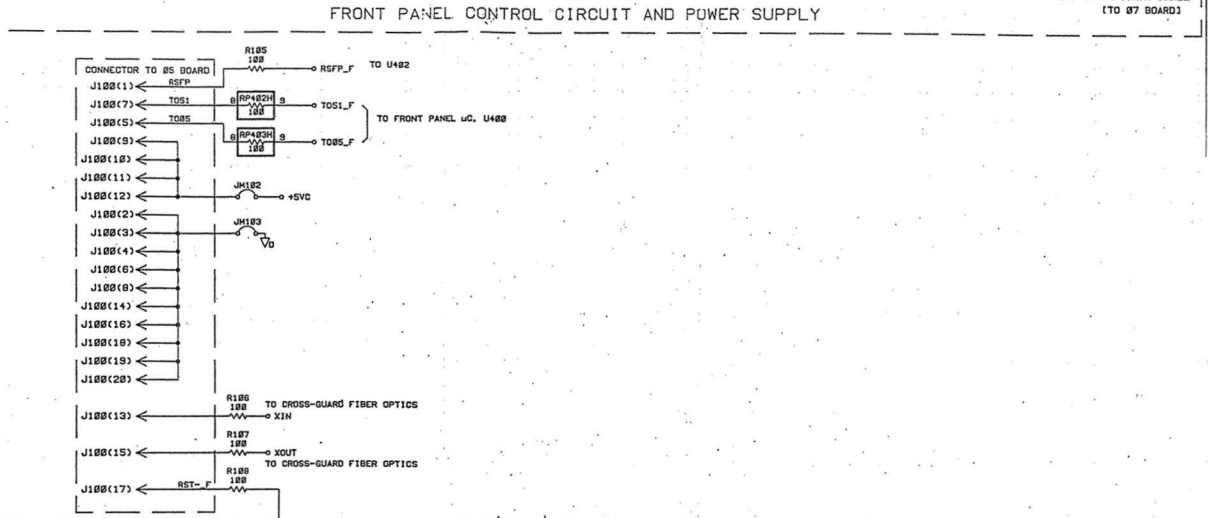
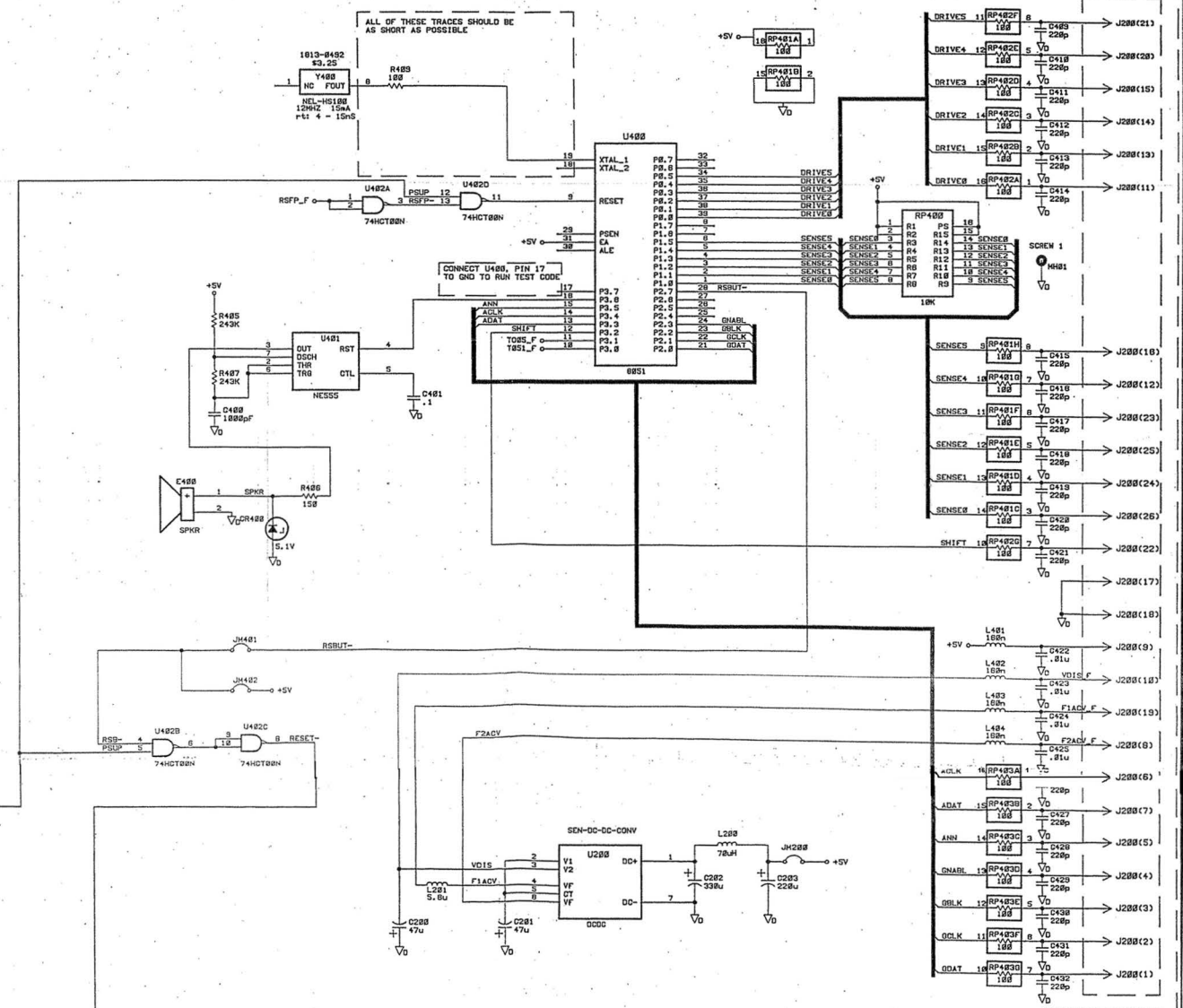




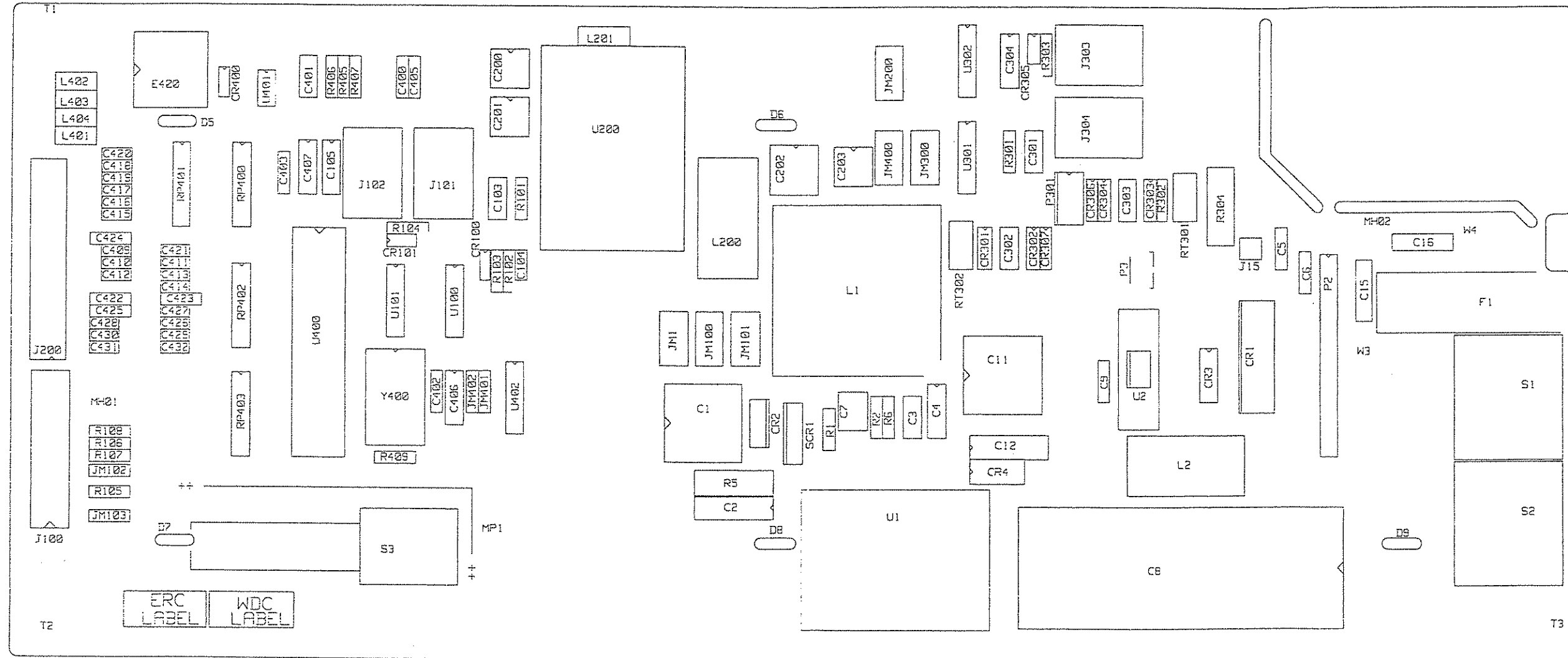
OUTGUARD POWER SUPPLY



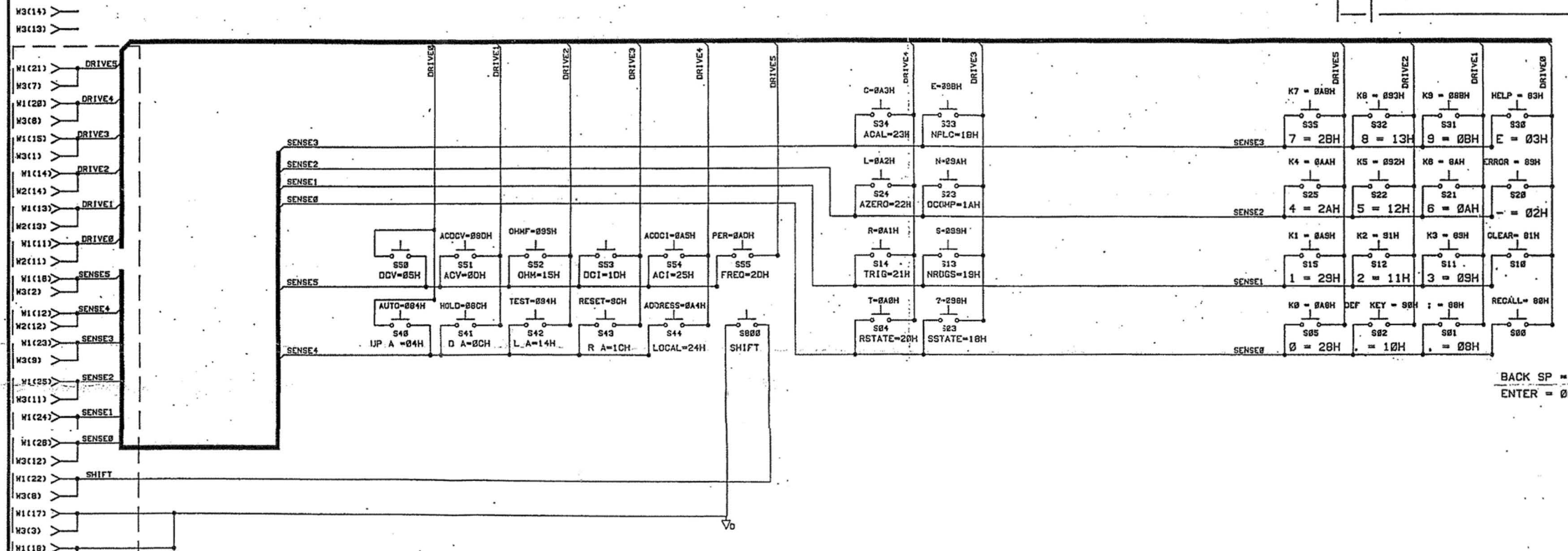
- 4 GROUNDS CONNECT ONLY AT U1 pin-8
Ground 1 ARE 50 MIL TRACES ONLY
Ground 4 IS THE DIGITAL GROUND AND ONLY CONNECTS AT U1(6)
- LOOP CONSISTING OF C11, C12, U1(8), AN CR4 SHOULD BE AS SMALL AS POSSIBLE
- U1(1,10) SHOULD CONNECT TO EACH OTHE NEAR U1 AND CONNECT TO W2 NEAR W2
- ALL 4 PINS OF BRIDGE, CR1, SHOULD BE CONNECTED TO LARGE TRACES AS A HEAT SINK



ITEM	QTY	A5686	PART/MATERIAL-DESCRIPTION	MAT'L-PART NO.	MAT'L-DWG. NO.	MAT'L-SPEC.
DRAWN BY		21-APR-88	SENTRY'S OUTGUARD			
ENGINEER/CHECKER			POWER SUPPLY BOARD			
RELEASE TO PROD.			PRODUCTION PROTOTYPES			
SUPERSEDES DWG.			TITLE			
			SCALE			
			SHEET OF			
					D-03458-66506-1	



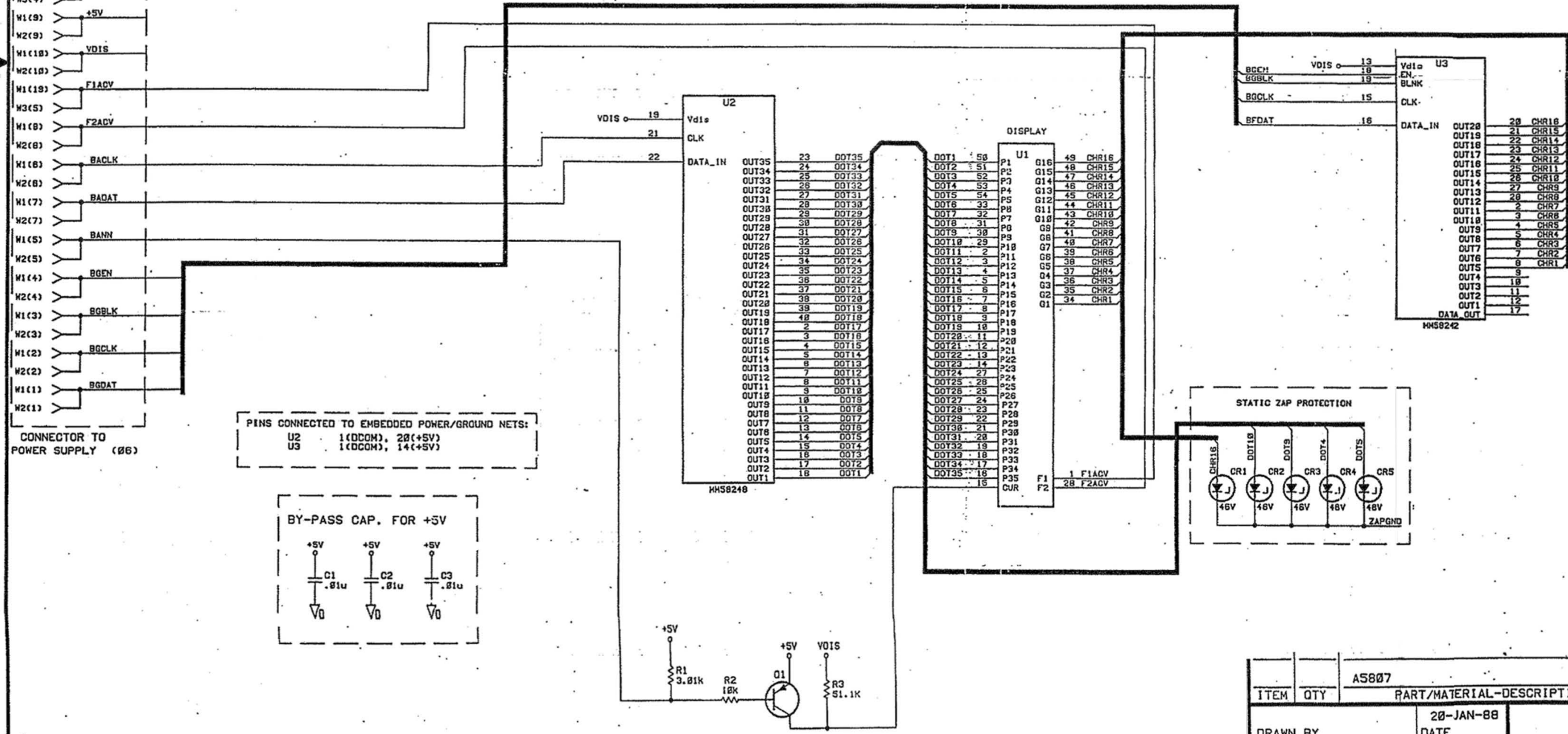
SYH	REVISIONS	APPROVED	DATE
A	AS ISSUED		NOV 88



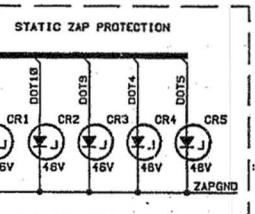
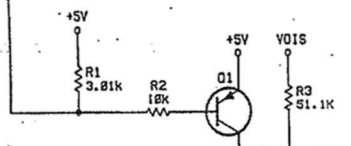
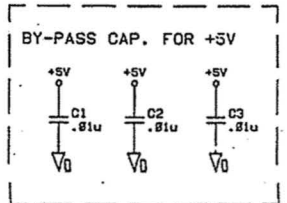
KEY CODES ARE DEFINED AS:
 SHIFT DRIVE SENSE

ANNUNCIATOR POSITIONS ARE:
 0 = SHPL (LEFT MOST ANN.)
 1 = REM
 2 = SR0
 3 = TALK
 4 = LSTN
 5 = AZERO
 6 = OFF
 7 = HRNG
 8 = MATH
 9 = ERR
 10 = SHIFT
 11 = MORE INFO (RIGHT MOST ANN.)

BACK SP = 01H
 ENTER = 00H

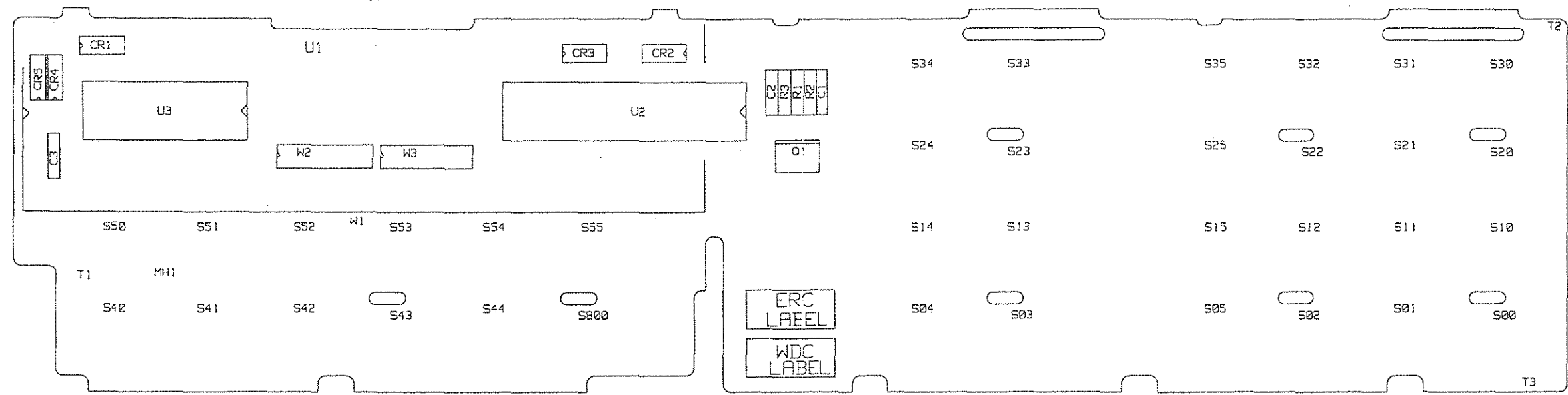


PINS CONNECTED TO EMBEDDED POWER/GROUND NETS:
 U2 1(DCOM), 20(+5V)
 U3 1(DCOM), 14(+5V)



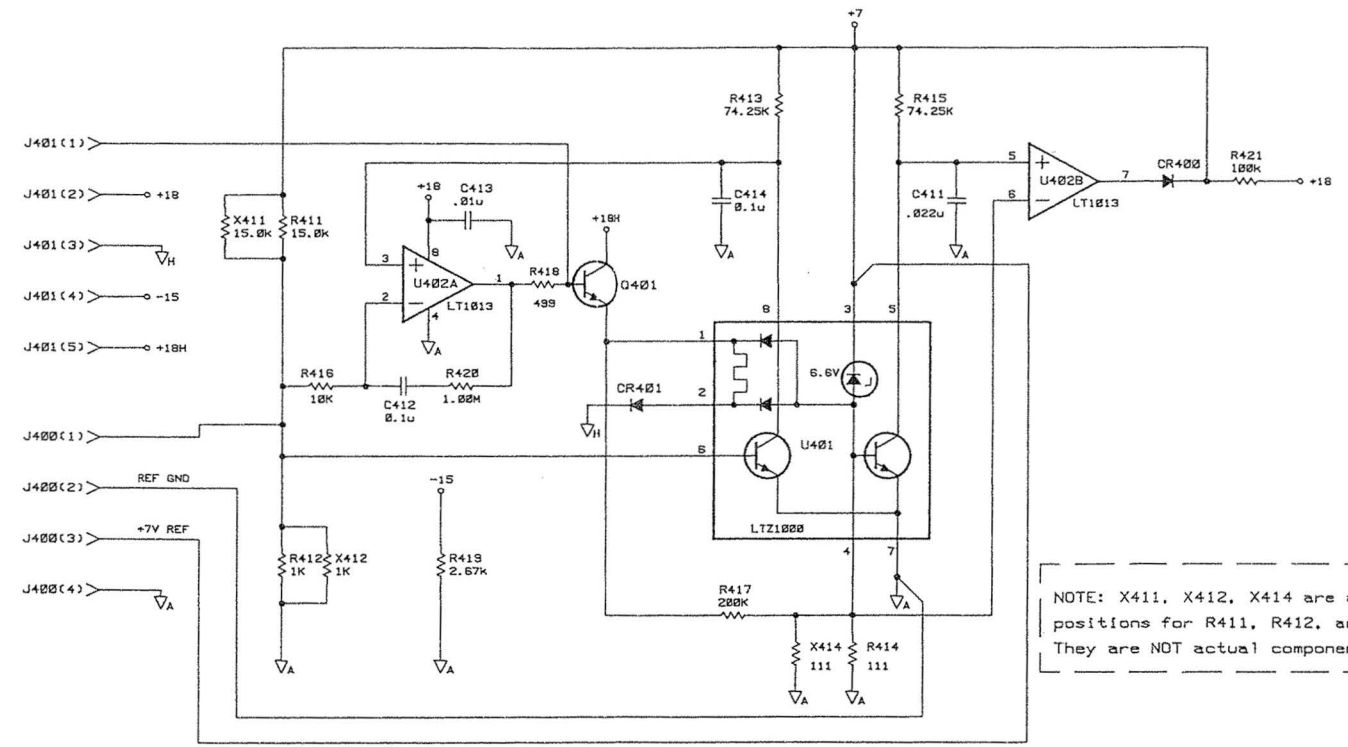
ITEM	QTY	AS807 PART/MATERIAL-DESCRIPTION	MAT'L-PART NO.	MAT'L-DWG. NO.	MAT'L-SPEC.
DRAWN BY		20-JAN-88	SENTRY'S FRONT PANEL PRODUCTION BOARDS		
ENGINEER/CHECKER		DATE	TITLE		
RELEASE TO PROD.			PART NUMBER 03458-66507		
SUPERSEDES DWG.		SCALE	SHEET 1 OF 1 C - 03458 - 66507 - 1		

03450-26507 04-06-88 REV A HPEGS V2.11



9									
---	--	--	--	--	--	--	--	--	--

SYM	REVISIONS	APPROVED	DATE
A	AS ISSUED		

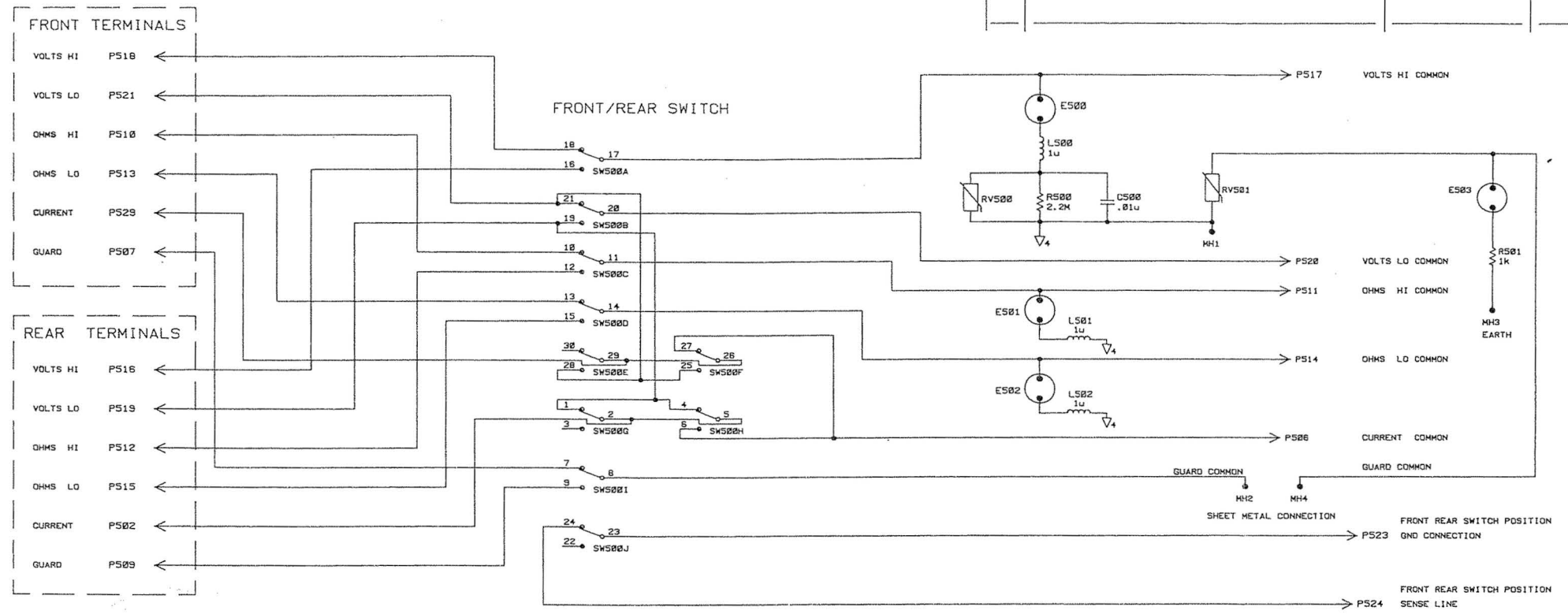


NOTE: X411, X412, X414 are alternate positions for R411, R412, and R414. They are NOT actual components.

ITEM	QTY	A5809 PART/MATERIAL-DESCRIPTION	MAT'L-PART NO.	MAT'L-DWG. NO.	MAT'L-SPEC.
DRAWN BY		2-NOV-87 DATE	+7V REFERENCE		
ENGINEER/CHECKER					
RELEASE TO PROD.		TITLE	PART NUMBER 03458-66509		
SUPERSEDES DWG.		SCALE	SHEET 1 OF 1	B - 03458 - 66509 - 1	



SYM	REVISIONS	APPROVED	DATE
A	AS ISSUED		



SWITCH SHOWN IN FRONT POSITION

ITEM	QTY	PART/MATERIAL-DESCRIPTION	MAT'L-PART NO.	MAT'L-DWG. NO.	MAT'L-SPEC.
		A5810			
DRAWN BY		18-APR-88	3458 10 BOARD		HEWLETT PACKARD
ENGINEER/CHECKER		DATE	FRONT REAR SWITCH		
RELEASE TO PROD.			TITLE		PART NUMBER 03458-66510
SUPERSEDES DWG.			SCALE	SHEET 1 OF 1	B - 03458 - 66510 - 1